



# UTTERMOST

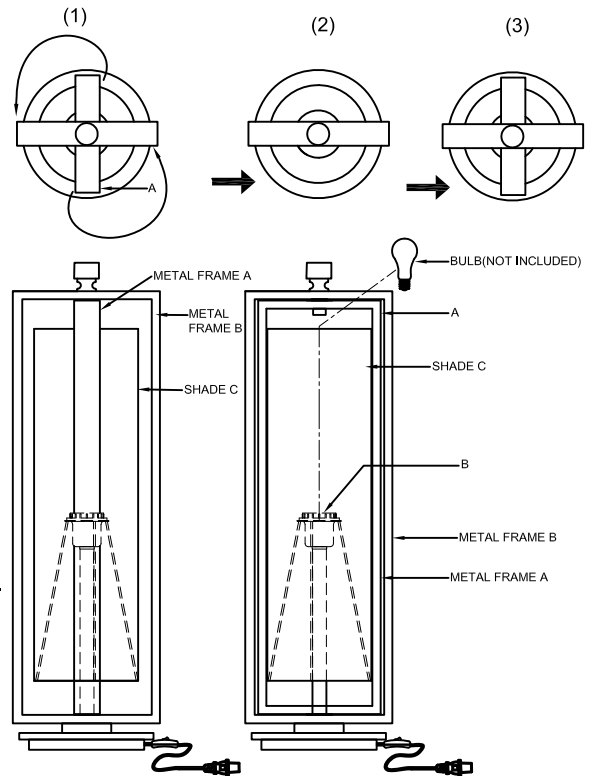
THANK YOU FOR PURCHASING THE TABLE LAMP .  
PLEASE FOLLOW THE INSTRUCTIONS LISTED BELOW:

**ASSEMBLY INSTRUCTIONS:**  
**MODEL NUMBER:29664-1**

1. UNPACK ALL PARTS FROM CARTON CAREFULLY;
2. TURNING METAL FRAME (A ) 90 DEGREES ,LET METAL FRAME(A) AND METAL FRAME (B) IN THE SAME LINE.
3. INSTALL THE BULB (NOT INCLUDED) FROM TOP OF SHADE , THEN TURNING THE METAL FRAME (A ) 90 DEGREES AS ILLUSTRATE.

**IMPORTANT SAFETY INSTRUCTION:**

THIS PORTABLE LAMP HAS A POLARIZED PLUG(ONE BLADE IS WIDER THAN THE OTHER). AS A SAFETY FEATURE TO REDUCE THE RISK OF ELECTRIC SHOCK. THIS PLUG WILL FIT IN A POLARIZED OUTLET ONLY ONE WAY. IF IT DOES NOT FIT, REVERSE THE PLUG. IF IT STILL DOES NOT FIT, CONTACT A QUALIFIED ELECTRICIAN. NEVER USE WITH AN EXTENSION CORD UNLESS PLUG CAN BE FULLY INSERTED. DO NOT ALTER THE PLUG.



PO BOX 558/3325 GRASSY HILL RD. ROCKY MOUNT, VIRGINIA 24151

WWW.UTTERMOST.COM