

UTTERMOST

ASSEMBLY INSTRUCTIONS

STYLE NO.: 21577 PARTS LIST& HARDWARE LIST:

1	Canopy	1pc	7	Wire Connector	3pcs
2	Universal Bar	1pc	8	Plastic Washer	2pcs
3	Finial	2pcs	9	Hasp	5pcs
4	Outlet Box Screw(1-1/8")	2pcs	10	Nut	2pcs
5	Green Ground Screw	1pc	11	Pin	15pcs
6	Mounting Screw(2-3/4")	2pcs	12	Glass Shade	5pcs

*Please make sure you have all the parts indicated above before you begin assembling this item. We suggest a professional electrician for all lighting fixture installations. Please read wiring instructions before you begin assembling and installing your Ceiling Lamp

WARNING: Before installing, make sure electricity supply is shut off to avoid a possible electric shock.

ASSEMBLY INSTRUCTIONS

1. Take the parts carefully out of the carton, Place them on a flat surface, and make sure the parts will not be damaged.

2. Remove the Ball finial under the Canopy from the Mounting Screws, and take out the Universal Bar. Attach the Universal Bar to the Outlet Box by using two Outlet Box Screws.

(See Figure1)

3. Adjust wire length as needed for installation, remove excess.

4. Install the Ground Wire in the Universal Bar with the supplied Green Ground Screw.

5. Place the null wire, white wire evenly against the null wire from the Outlet Box and place the live wire, black wire evenly against the live wire from the Outlet Box. (Connecting the Wire---

See Figure 2)

6. After the wires are connected. Pull the black fabric wire to adjust the length, Tighten it by the hasp.

tuck them carefully inside the Outlet Box. (See Figure 3)

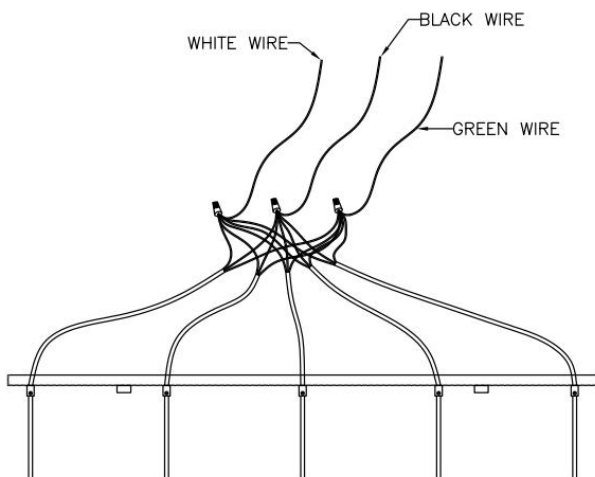
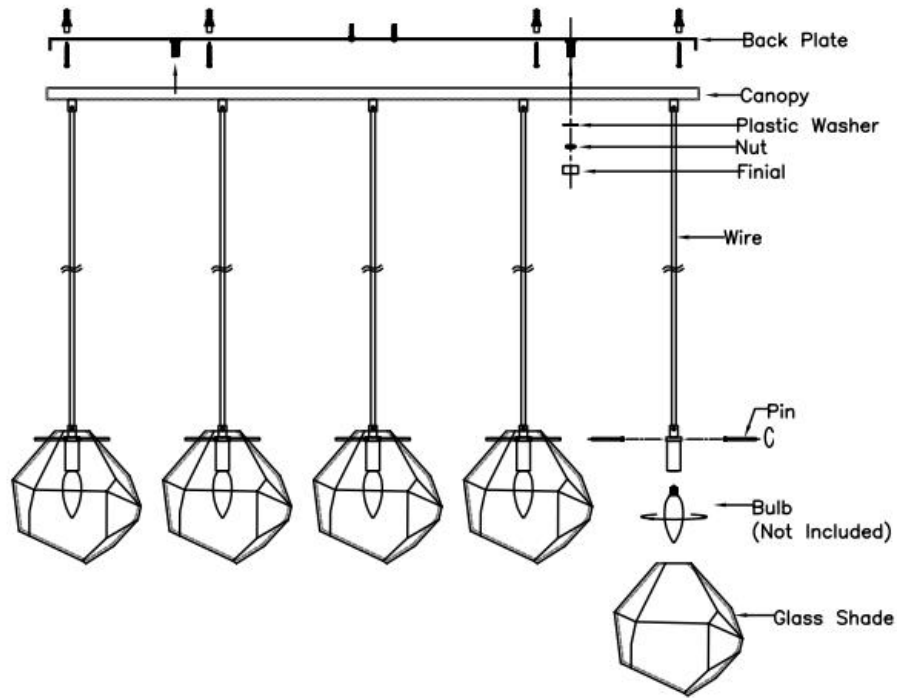
7. Attach the Canopy to the Mounting Screws and secure with two Ball Finials (See Figure 1)

8. Install 5*60W, E12 bulbs (not Included) into the socket of the fixture.

9. Unscrew 3 pins from shaft in counter clockwise direction. Slip glass over shaft & bulb then slip pin through hole in glass and screw it clockwise back into shaft to hold glass in place, repeat for all 3 pins for each glass.

UTTERMOST

ASSEMBLY INSTRUCTIONS



Canopy

