

**ASSEMBLY INSTRUCTIONS**

**MODEL NUMBER W26128-1**

**THANK YOU FOR PURCHASING THIS DESK LAMP.**

**PLEASE FOLLOW THE INSTRUCTIONS LISTED BELOW:**

**CAUTION: DO NOT PLUG INTO WALL OUTLET BEFORE ASSEMBLY.**

**UNPLUG WHEN REPLACING THE LAMP BULB.**

1. Remove socket ring (C) from the lamp holder (A).
2. Place shade (B) onto lamp holder (A).
3. Tighten socket ring (C) onto lamp holder (A).

**IMPORTANT SAFETY INSTRUCTIONS:**

This portable lamp has a polarized plug (one blade is wider than the other), as a safety feature to reduce the risk of electric shock.

This plug will fit in a polarized outlet only one way.

If it does not fit fully in the outlet, reverse the plug.

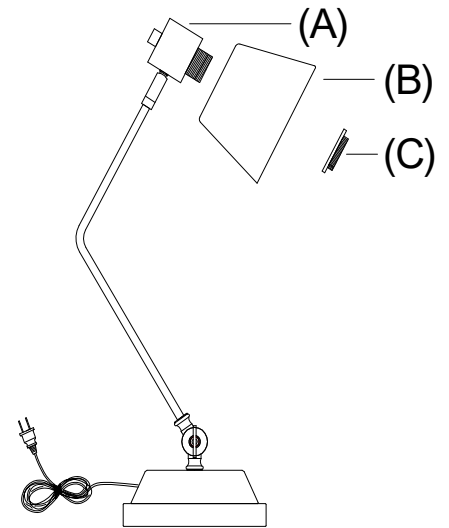
If it still does not fit, contact a qualified electrician.

Never use with an extension cord unless plug can be fully inserted.

Do not alter this plug.

**Care and Maintenance**

To clean, wipe with a soft dry cloth.



**ASSEMBLY INSTRUCTIONS**

**MODEL NUMBER W26128-1**

**THANK YOU FOR PURCHASING THIS DESK LAMP.**

**PLEASE FOLLOW THE INSTRUCTIONS LISTED BELOW:**

**CAUTION: DO NOT PLUG INTO WALL OUTLET BEFORE ASSEMBLY.**

**UNPLUG WHEN REPLACING THE LAMP BULB.**

1. Remove socket ring (C) from the lamp holder (A).
2. Place shade (B) onto lamp holder (A).
3. Tighten socket ring (C) onto lamp holder (A).

**IMPORTANT SAFETY INSTRUCTIONS:**

This portable lamp has a polarized plug (one blade is wider than the other), as a safety feature to reduce the risk of electric shock.

This plug will fit in a polarized outlet only one way.

If it does not fit fully in the outlet, reverse the plug.

If it still does not fit, contact a qualified electrician.

Never use with an extension cord unless plug can be fully inserted.

Do not alter this plug.

**Care and Maintenance**

To clean, wipe with a soft dry cloth.

