

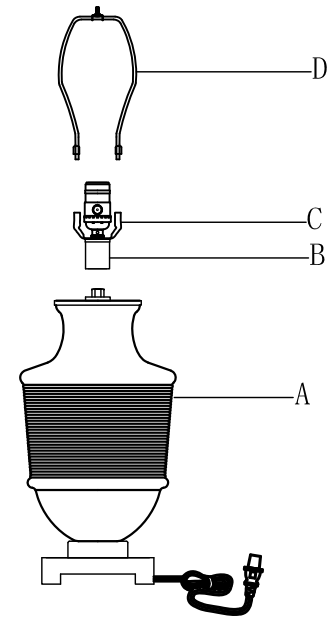
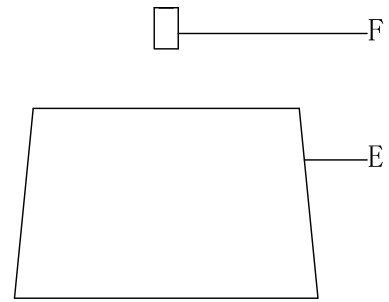
THANK YOU FOR PURCHASING THE TABLE LAMP .
PLEASE FOLLOW THE INSTRUCTIONS LISTED BELOW:

ASSEMBLY INSTRUCTIONS:
MODEL NUMBER:W26032-1

1. UNPACK ALL PARTS FROM CARTON CAREFULLY;
2. THREAD THE SOCKET ASSEMBLY("B") CLOCKWISE TO THE BODY ("A")
3. ATTACHED THE HARP("D") INTO THE SADDLE("C")
4. PLACE THE SHADE("E") ONTO THE TOP OF HARP("D"), AND SCREW THE FINIAL ("F") CLOCKWISE TO FIX THE SHADE

IMPORTANT SAFETY INSTRUCTION:

THIS PORTABLE LAMP HAS A POLARIZED PLUG(ONE BLADE IS WIDER THAN THE OTHER). AS A SAFETY FEATURE TO REDUCE THE RISK OF ELECTRIC SHOCK. THIS PLUG WILL FIT IN A POLARIZED OUTLET ONLY ONE WAY. IF IT DOES NOT FIT, REVERSE THE PLUG. IF IT STILL DOES NOT FIT, CONTACT A QUALIFIED ELECTRICIAN. NEVER USE WITH AN EXTENSION CORD UNLESS PLUG CAN BE FULLY INSERTED. DO NOT ALTER THE PLUG.



THANK YOU FOR PURCHASING THE TABLE LAMP .
PLEASE FOLLOW THE INSTRUCTIONS LISTED BELOW:

ASSEMBLY INSTRUCTIONS:
MODEL NUMBER:W26032-1

1. UNPACK ALL PARTS FROM CARTON CAREFULLY;
2. THREAD THE SOCKET ASSEMBLY("B") CLOCKWISE TO THE BODY ("A")
3. ATTACHED THE HARP("D") INTO THE SADDLE("C")
4. PLACE THE SHADE("E") ONTO THE TOP OF HARP("D"), AND SCREW THE FINIAL ("F") CLOCKWISE TO FIX THE SHADE

IMPORTANT SAFETY INSTRUCTION:

THIS PORTABLE LAMP HAS A POLARIZED PLUG(ONE BLADE IS WIDER THAN THE OTHER). AS A SAFETY FEATURE TO REDUCE THE RISK OF ELECTRIC SHOCK. THIS PLUG WILL FIT IN A POLARIZED OUTLET ONLY ONE WAY. IF IT DOES NOT FIT, REVERSE THE PLUG. IF IT STILL DOES NOT FIT, CONTACT A QUALIFIED ELECTRICIAN. NEVER USE WITH AN EXTENSION CORD UNLESS PLUG CAN BE FULLY INSERTED. DO NOT ALTER THE PLUG.

