



UTTERMOST

ASSEMBLY INSTRUCTION

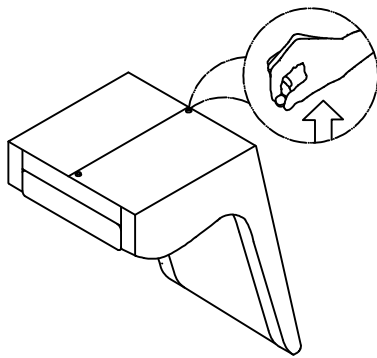
ITEM: 23493

PARTS LIST

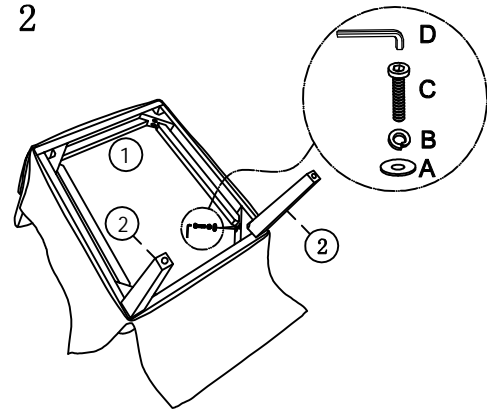
NO	DRAWING	PARTS NAME	Q'TY	NO	PARTS NAME	DRAWING	Q'TY
A		FLAT WASHER 5/16"*3/4"	8PCS	1	SEAT FRAME		1PC
B		LOCK WASHER 5/16"	8PCS	2	FRONT LEG		2PCS
C		BOLTS DIA 5/16"*2"	8PCS	3	BACK LEG		2PCS
D		ALLEN WRENCH 5/16"	1PC	4	REMOVABLE BACK CUSHION		1PC

ASSEMBLY BOLTS MAY NEED TIGHTEND AFTER USE

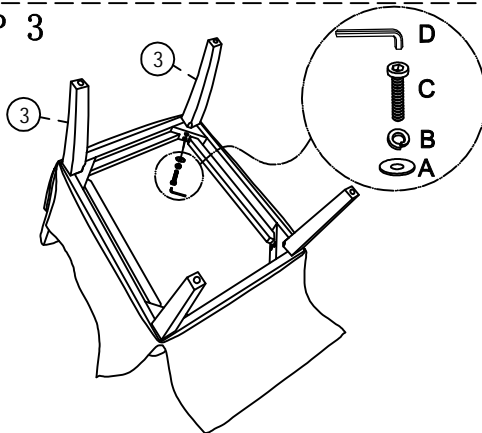
STEP 1 Pls move the button first.



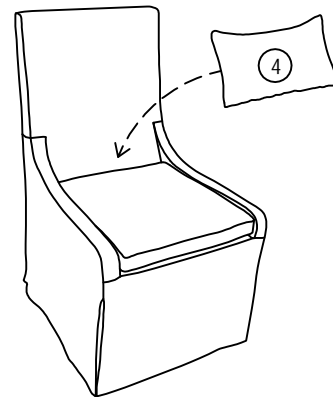
STEP 2



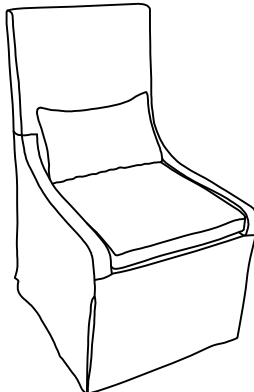
STEP 3



STEP 4



Note:the cover can be removed.



To avoid wobbly product , please follow below steps to assemble:

- 1) Attach the legs.Do not completely tighten the bolts that hold the legs.
- 2) Set the chair on the floor to level and then finish tightening the leg bolts.

PO BOX 558/3325 GRASSY HILL RD . ROCKY MOUNT.VIRGINIA 24151

www.uttermost.com