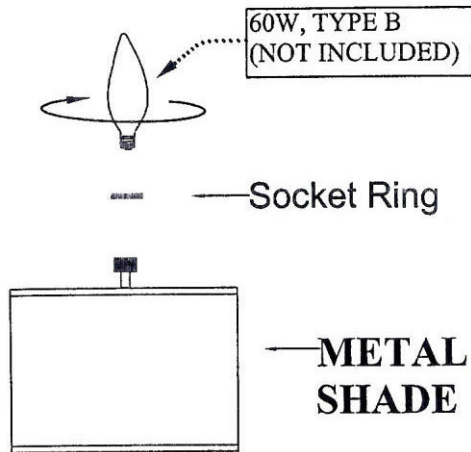


REVELATION

by UTTERMOST

ASSEMBLY INSTRUCTIONS



Assembly Instruction

STYLE NO.: R29794-1

1. Take the parts carefully out of the carton, and place them on a flat surface, make sure that the parts will not be damaged.
2. Place the metal shade on the socket and secure by socket ring.
3. Install 60 Watt, Type B bulb (NOT INCLUDED) into the socket of the lamp.

To clean, wipe with soft dry cloth.

NOTE: THE DRAWING OF THE LAMP BODY IS FOR REFERENCE ONLY.

