

# REVELATION

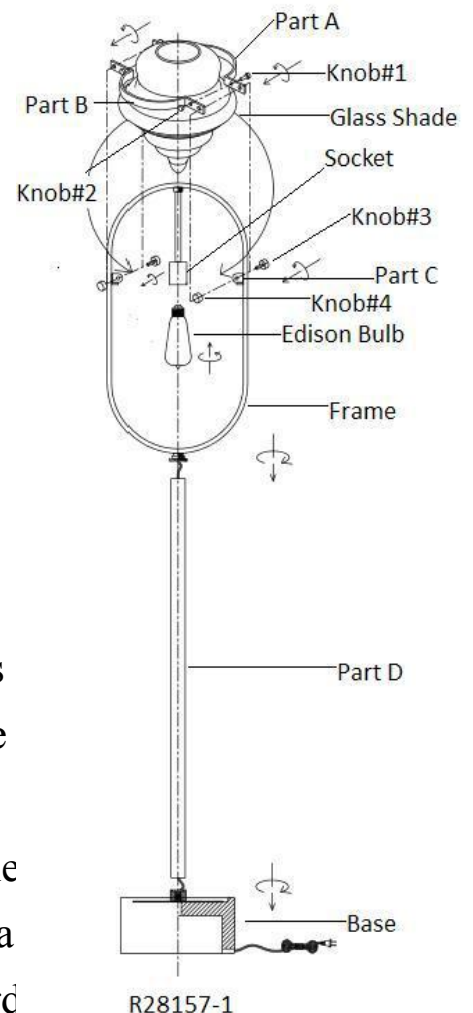
by UTTERMOST

## ASSEMBLY INSTRUCTIONS

STYLE# R28157-1

**Careful unpack all lamp parts from the carton.**

1. Take the lamp carefully out of the Carton, and place it on a flat surface.
2. Thread **Part D** onto the **Base** and turn clockwise to tighten secured.
3. Thread **Frame** into **Part D**, turn clockwise to tighten until snug.
4. Install the correct **Edison Bulb** (Included) onto the **Socket** before connecting the plug to the electricity outlet Box.
5. Place the **Glass Shade** between **Part A** and **Part B**, Located the **Knob#1** onto the **Part A** and **Part B** and by turning **Knob#2** clockwise to tighten until snug.
6. Position the fixted **Glass Shade** through the **Socket** on the **Part C**, Located the **Knob#3** onto the **Part C** and by turning **Knob#2** clockwise to tighten until snug.



## IMPORTANT SAFETY INSTRUCTIONS

This portable lamp has a polarized plug ( one blade is wider than the other ) as a safety feature to reduce the risk of electric shock. This plug will fit in a polarized outlet only one way. If the plug does not fit fully in the outlet, reverse the plug. If it still does not fit, contact a qualified electrician. Never use with an extension cord unless plug can be fully inserted. Do not attempt to defeat this safety feature.

PO BOX 558/3325 GRASSY HILL RD. ROCKY MOUNT, VIRGINIA 24151

[www.revelationbyuttermost.com](http://www.revelationbyuttermost.com)