

# REVELATION

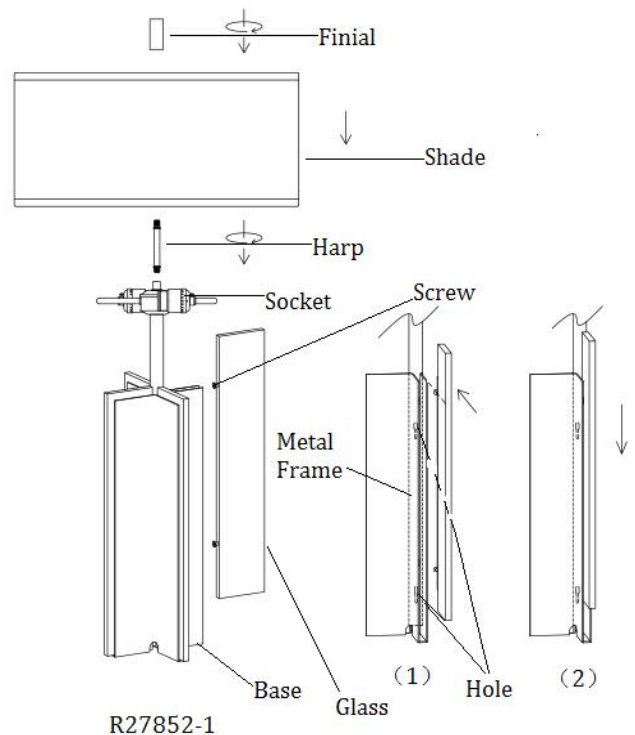
by UTTERMOST

## ASSEMBLY INSTRUCTIONS

**STYLE#: R27852-1**

**Careful unpack all lamp parts from the carton.**

1. Take the lamp carefully out of the Carton, and place it on a flat surface.
- 2 (1) Align the **Screw** of the **Glass** to the **Metal Frame** and insert the **Glass** into the **Metal Frame**;  
(2) Move down the **Glass** until the **Screw** hang on the **Hold**.
3. Locate the **Harp** by pressing the ends of the **Harp** into the **Socket** on the top of **Base**.
4. Place the **Shade** over the top end of the **Harp**.  
Secure by thread the **Finial** onto the **Harp**.  
Hand tighten until snug.
5. Install correct Bulbs referring to fixture markings and /or labels for maximum wattage. (Not Included)



## IMPORTANT SAFETY INSTRUCTIONS

This portable lamp has a polarized plug ( one blade is wider than the other ) as a safety feature to reduce the risk of electric shock. This plug will fit in a polarized outlet only one way. If the plug does not fit fully in the outlet, reverse the plug. If it still does not fit, contact a qualified electrician. Never use with an extension cord unless plug can be fully inserted. Do not attempt to defeat this safety feature.

PO BOX 558/3325 GRASSY HILL RD. ROCKY MOUNT, VIRGINIA 24151

[www.revelationbyuttermost.com](http://www.revelationbyuttermost.com)