

REVELATION

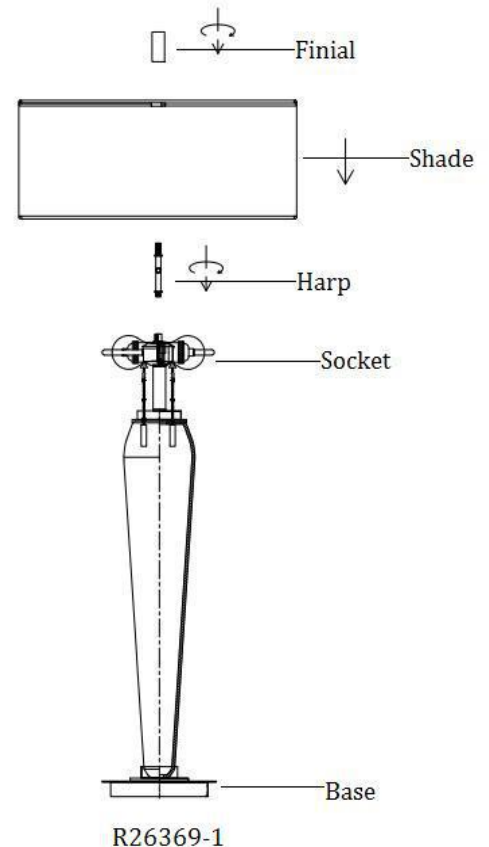
by UTTERMOST

ASSEMBLY INSTRUCTIONS

STYLE#:R26369-1

Careful unpack all lamp parts from the carton.

1. Take the lamp carefully out of the Carton, and place it on a flat surface.
2. Locate the **Harp** by pressing the ends of the **Harp** into the **Base**.
3. Place the **Shade** over the top end of the **Harp**. Secure by thread the **Finial** onto the **Harp**. Hand tighten until snug.
4. Install correct Bulbs referring to fixture markings and /or labels for maximum wattage. (Not Included)



IMPORTANT SAFETY INSTRUCTIONS

This portable lamp has a polarized plug (one blade is wider than the other) as a safety feature to reduce the risk of electric shock. This plug will fit in a polarized outlet only one way. If the plug does not fit fully in the outlet, reverse the plug. If it still does not fit, contact a qualified electrician. Never use with an extension cord unless plug can be fully inserted. Do not attempt to defeat this safety feature.

PO BOX 558/3325 GRASSY HILL RD. ROCKY MOUNT, VIRGINIA 24151

www.revelationbyuttermost.com