

# REVELATION

by UTTERMOST

## ASSEMBLY INSTRUCTIONS

R25265

### FLAMINGO TABLE LARGE WITH WHITE MARBLE TOP

#### PARTS INCLUDED:

Iron Leg Post	1 Pc
Oval Marble Top	1 Pc
Round Marble Base	1 Pc
Allen Bolt 3.5"L	1 Pc
Allen Wrench	1 Pc
Spring Washer M10	1 Pc
Washer 1"Dia	1 Pc
Phillips head Screw 5/8"L	4 Pcs

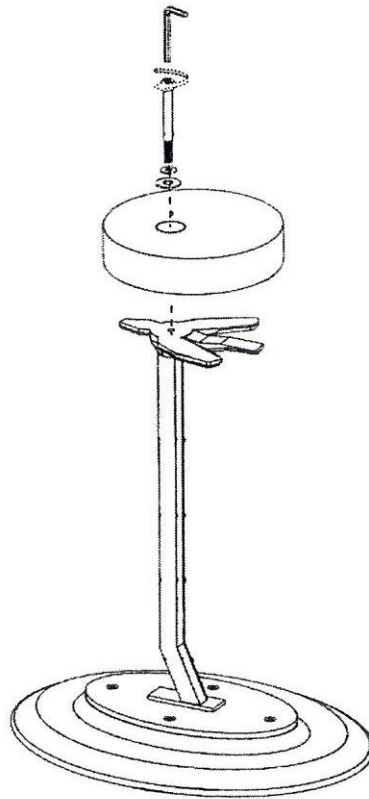
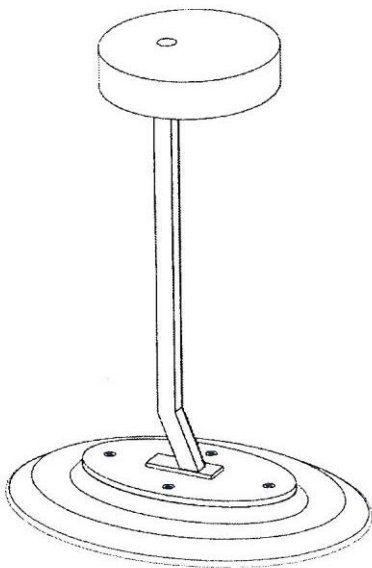
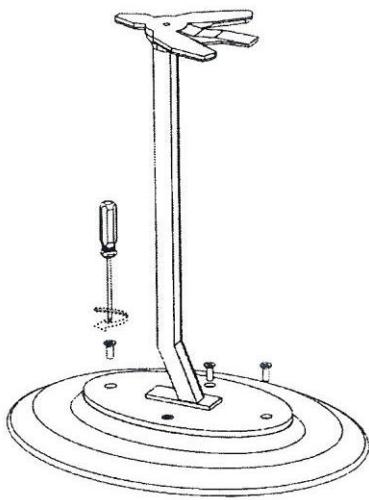
- The above lists all the contents included in the box.
- Please take the time to identify the parts as well as the individual components to this product.
- As you unpack and prepare for assembly, place the contents on a carpeted or padded area to protect them from damage.
- Do not throw away packaging materials until assembly is complete
- Proper assembly of this item requires two people.



Assembled View

## Assembly:

- Place the Oval marble top upside down on a soft surface.
- Now lift Iron leg post and align its oval plate end with the oval marble top as shown in the figure.
- Tighten all the 4 screws.
- Now lift Round marble base and align it with the Iron leg post foot as shown in the figure.
- Tighten the Allen bolt with help of Allen wrench.
- Turn the piece in upright position. The Flamingo Table is now ready to use.
- Hardware may loosen overtime. Periodically check that all connections are tight.



## CARE INSTRUCTIONS

Wipe with a soft, dry cloth. To protect finish, avoid the use of chemicals and household cleaners.