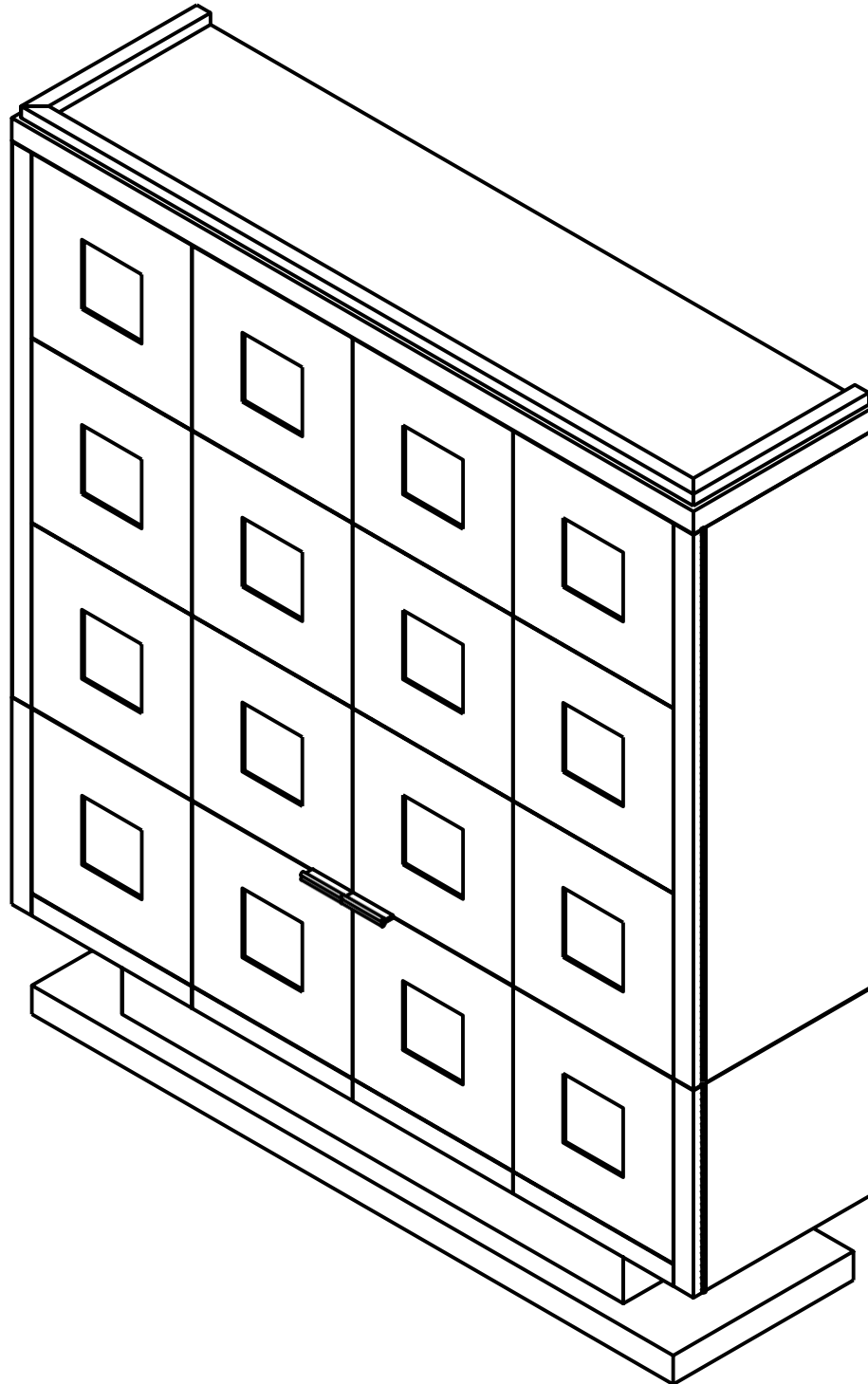


REVELATION
by UTTERMOST
ASSEMBLY INSTRUCTIONS
STYLE#R25116

BOTANICAL CABINET
ASSEMBLY INSTRUCTION



REVELATION

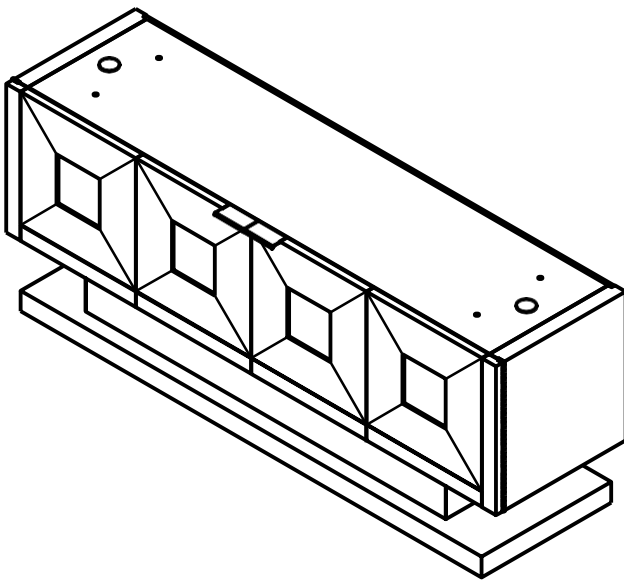
by UTTERMOST

ASSEMBLY INSTRUCTIONS

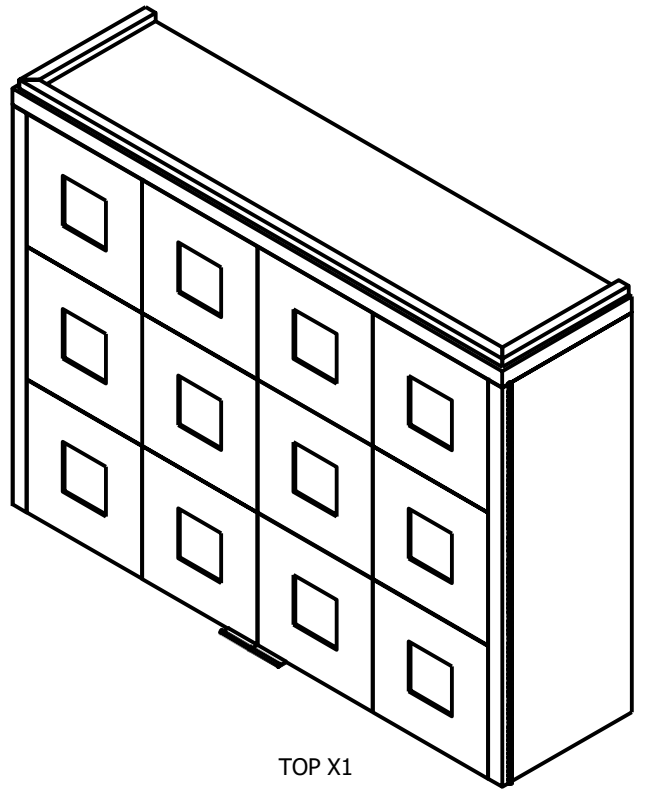
STYLE#R25116

IMPORTANT NOTE:

- Place all parts on a clean and smooth surface such as a rug or carpet to avoid the parts from being scratched.
- Remove all wrapping material, including staples & packing straps before you start to assemble.
- DO NOT tighten all screws and bolts until completely assembled.
- Keep all hardware parts out of reach of children.
- Check Female locators .



BASE X1



TOP X1

Hardware



Allen Key
(x1)



Allen Bolt
(x4)



Lock Washer
M8 (x4)



Flat washer
M8 (x4)



Anti-tip
(x2)

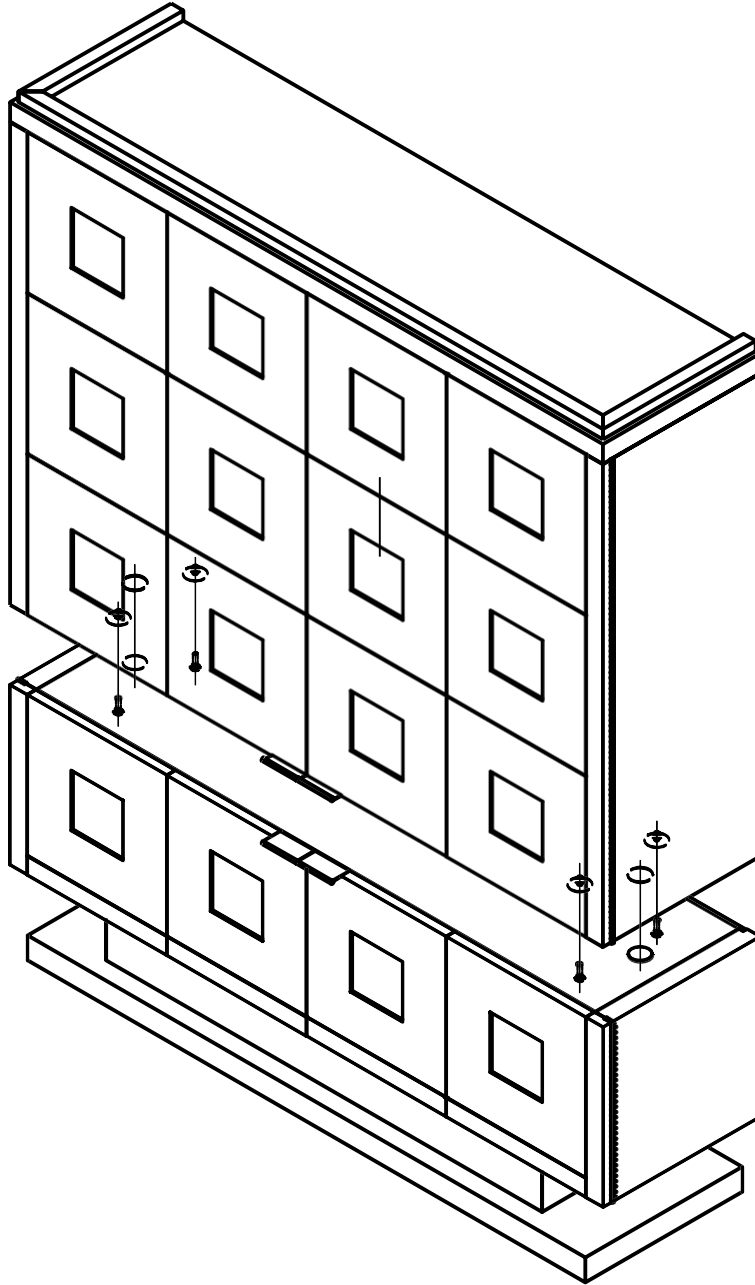
Note: Insert lock washer first followed by flat washer to allen bolt.

REVELATION

by UTTERMOST

ASSEMBLY INSTRUCTIONS

STYLE#R25116



Step 1: Using 2 or more people, remove top and base from the box. Carefully lift the top and place to the base. Ensure the top female locator is aligned to the base female locator.

REVELATION

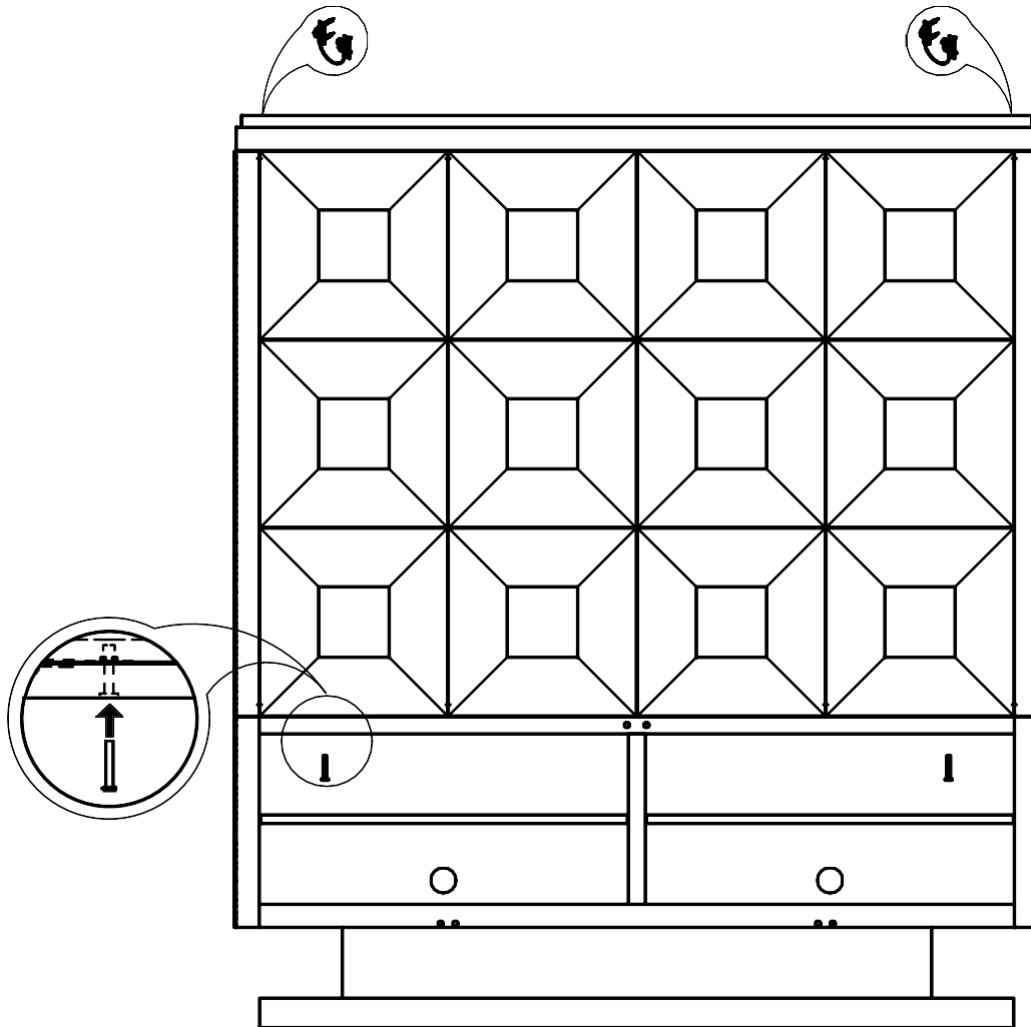
by UTTERMOST

ASSEMBLY INSTRUCTIONS

STYLE#R25116

WARNING:

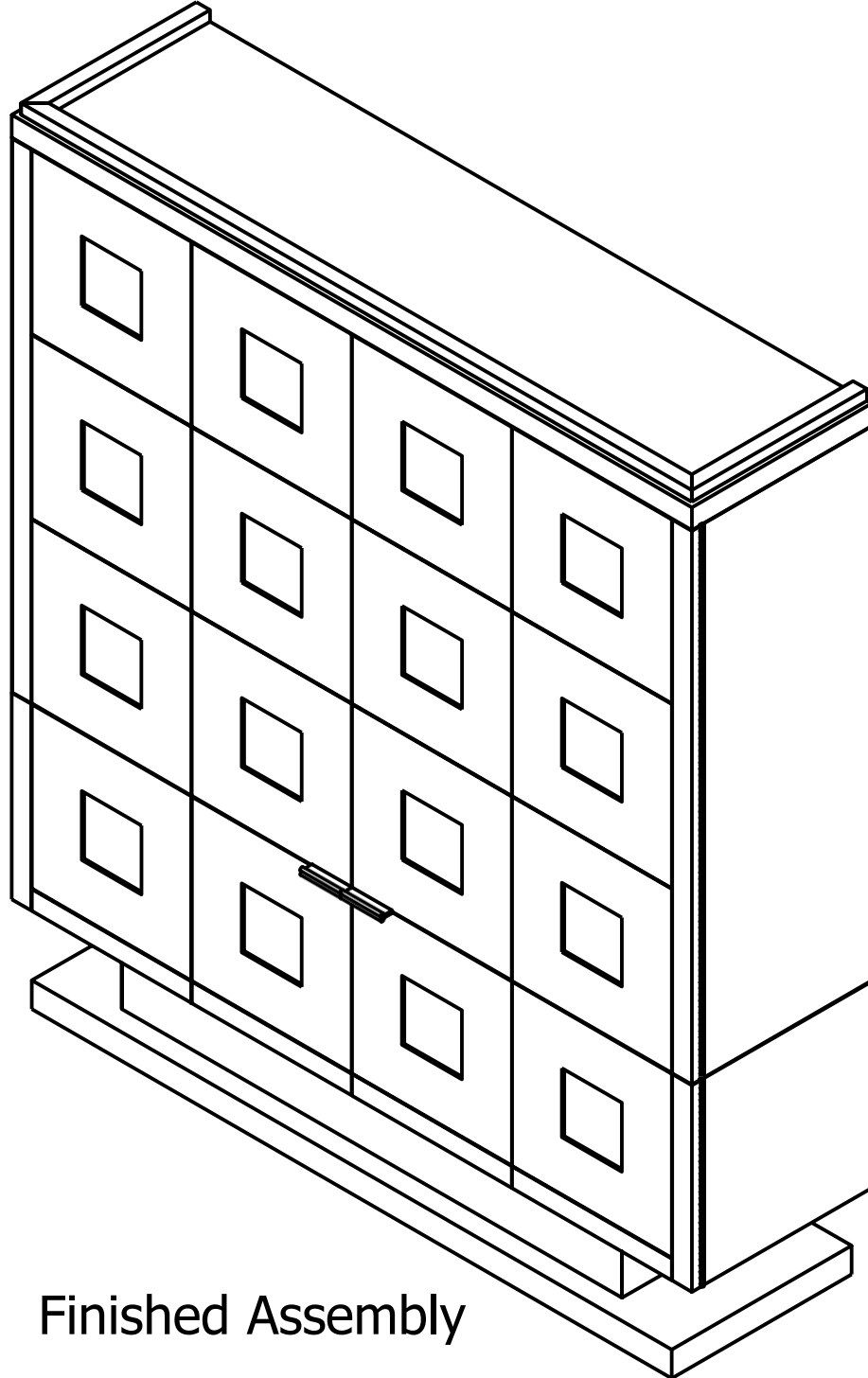
FAILURE TO INSTALL ANTI-TIP KIT
MAY RESULT IN SERIOUS INJURY.



Step 2: Check the bolt location that is located at the top portion of the base and use Allen bolts to secure both of them together and tighten firmly all 4 bolts and screw Anti-tip kit at the top.

REVELATION
by UTTERMOST
ASSEMBLY INSTRUCTIONS
STYLE#R25116

BOTANICAL CABINET
ASSEMBLY INSTRUCTION



Finished Assembly