

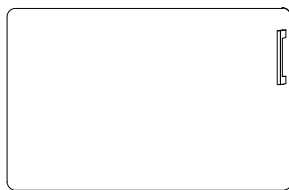
# REVELATION

by UTTERMOST

## ITEM.: R24920 Door Assembly Instruction



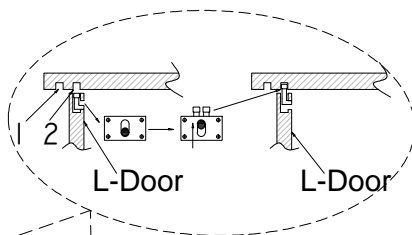
L-Door



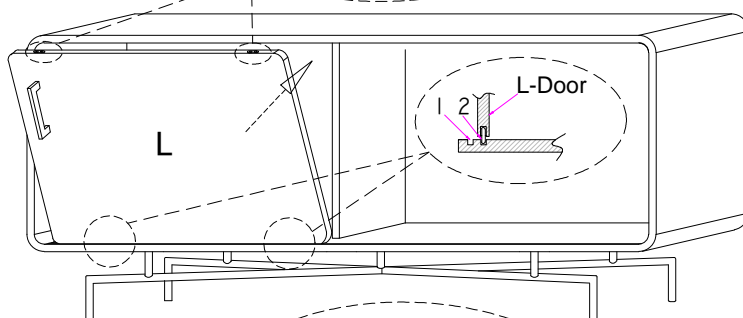
R-Door

PART LIST		
NO.	DESCRIPTION	QTY
1	Cabinet	1 SET
2	Door (L)	1 PC
3	Door (R)	1 PC

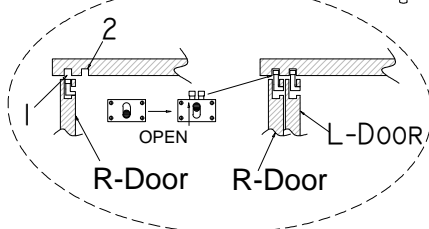
### Step 1



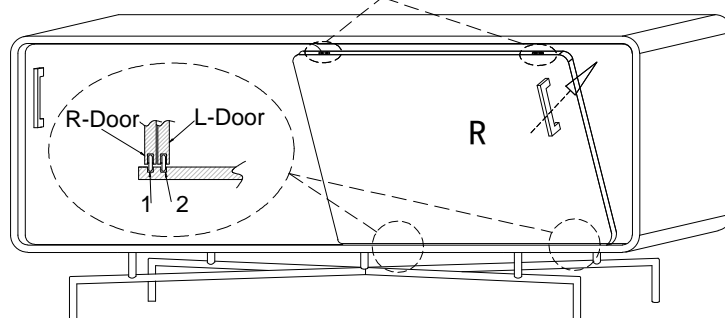
1. Press the top two clips down, position doors in the track, and release clips.



### Step 2

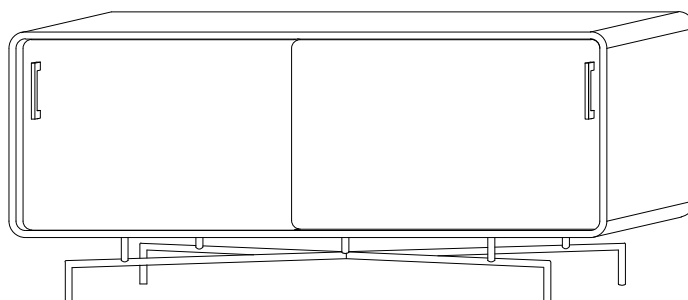


2. Repeat step 1 on the right door



### Step 3

3. Door installation is complete.



Complete