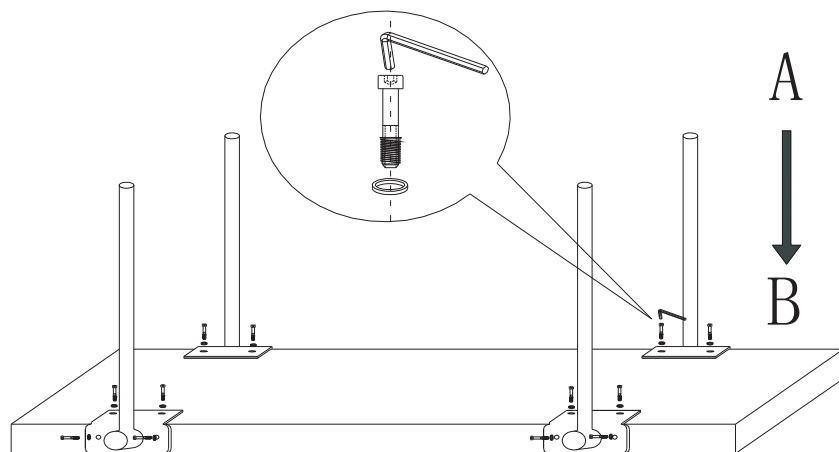


REVELATION

by UTTERMOST

Assembly Instruction

R24852



1. Take the TOP (B) carefully out of the carton, and place it upside down on a flat surface, make sure that the TOP (B) will not be damaged.
 2. Take the legs (A) out of the carton and fix legs (A) to TOP (B) piece by piece.
- Hardware and tool included: allen screws, allen wrench, washers.

To clean, wipe with soft dry cloth.