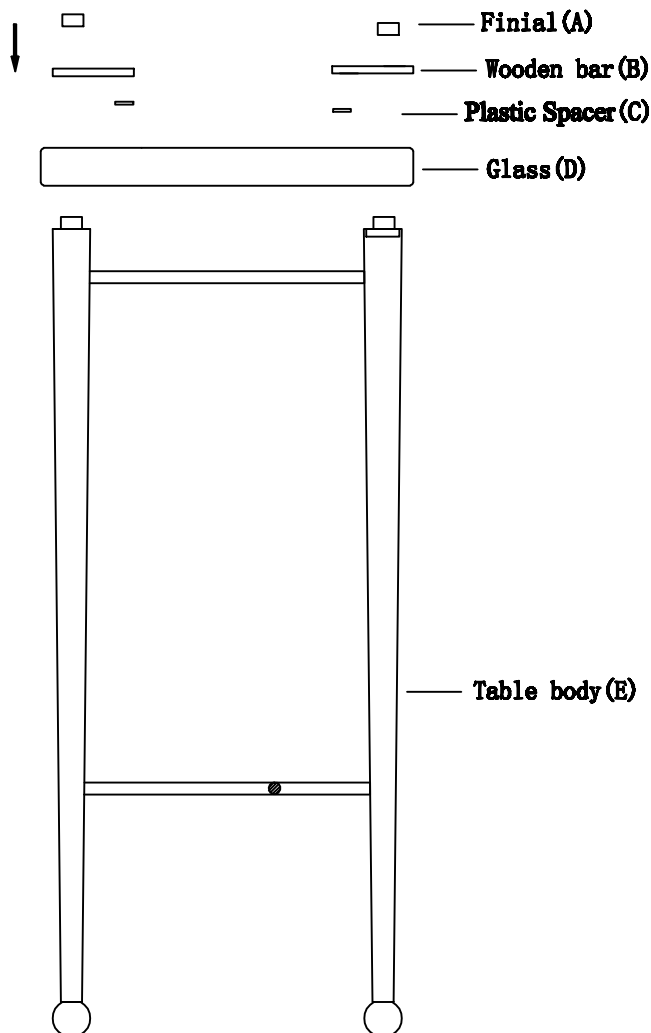


REVELATION

by **UTTERMOST**

Assembly Instruction

STYLE NO.: R24841



1. Take the parts carefully out of the carton, and place them on a flat surface, make sure that the parts will not be damaged.

2. Put the glass (D) onto Table Body (E), and then secure the Wooden bar (B) and Plastic spacer (C) by Finial (A) until tightly.

To clean, wipe with soft dry cloth.

