




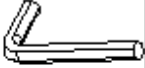
REVELATION

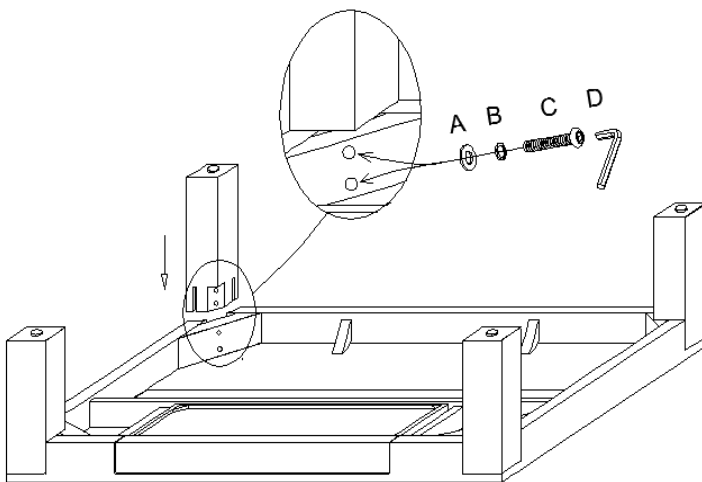
by UTTERMOST

Assembly Instruction

ITEM NO.:R24716

PARTLIST		
NO	DESCRIPTION	QTY
1	Table top	1PC
2	Leg	4PCS

ITEM	PART NAME		QTY
A	Flat washer		8
B	Lock washer		8
C	Bolt		8
D	Allen wrench		1

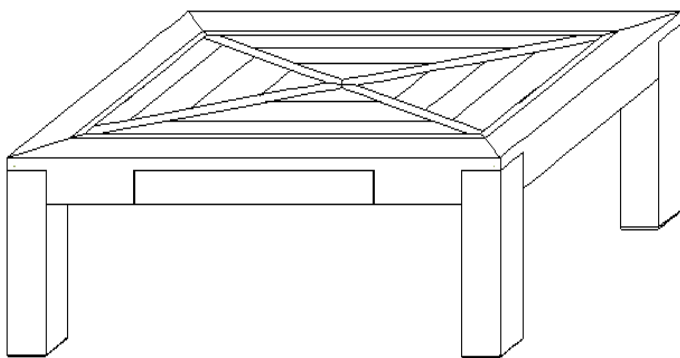


STEP 1

Place the table on a flat, soft, non-abrasive surface such as a carpet or a cloth to prevent scratching the finish during assembly.

STEP 2

According to the table leg end number Corresponding to the corners of the bottom of the table number, four vertical Installation under the table



STEP 3

Attach the four legs (2) .using hardware (C,B,A) as indicated in the diagram. Tighten with allen wrench (D).

STEP 4

Stand the table and the assembly is complete.

To Clean, wipe with soft dry cloth.