

REVELATION

by UTTERMOST

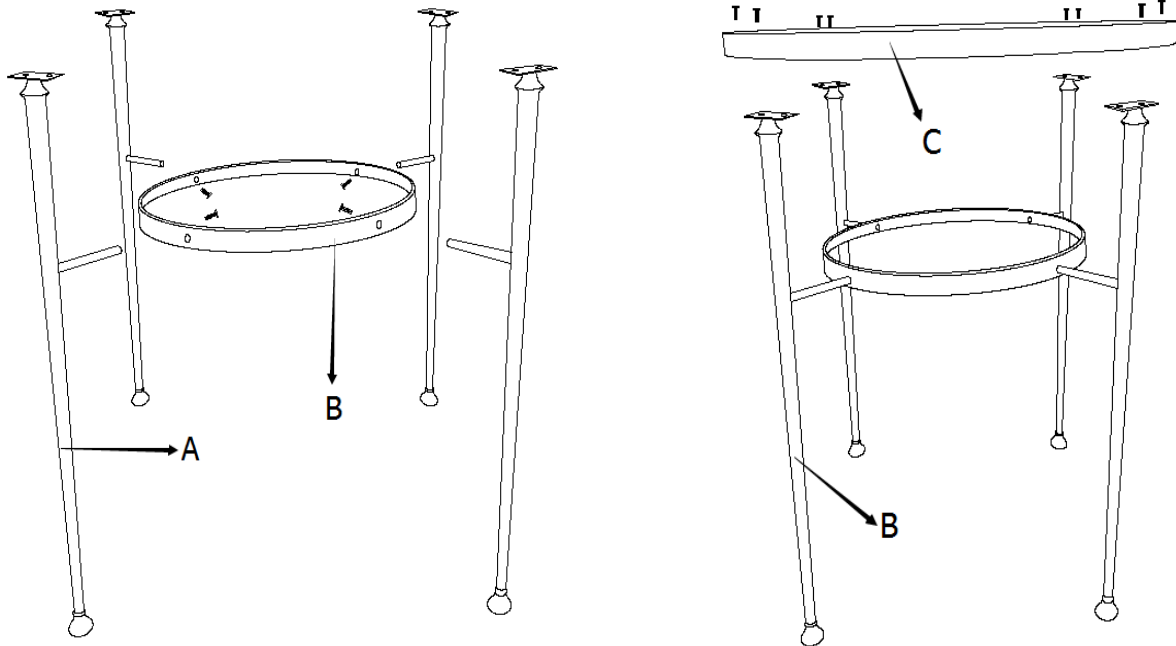
Assembly Instruction

Item :R24703

Parts/Hardware list

A	Legs	4PCS	D	Large glass	1PC
B	Middle Ring	1PC	E	Small glass	1PC
C	Top Shelf	1PC	F	screw	12PCS

1. Take the parts carefully out of the carton, and place them on a flat and soft surface, making sure that the parts will not be damaged.
2. Assemble the 4 Legs(A) and Middle Ring (B) together using 4 screws.
Please make sure glass rabbet side (no welding spot) on Middle Ring(B) face top side.
3. Assemble Top Shelf(C) on Legs(B) by 8 screws.



4. Carefully place the Large glass(D) and Small glass(E)
5. Softly clean & wipe with dry cloth.

