

REVELATION

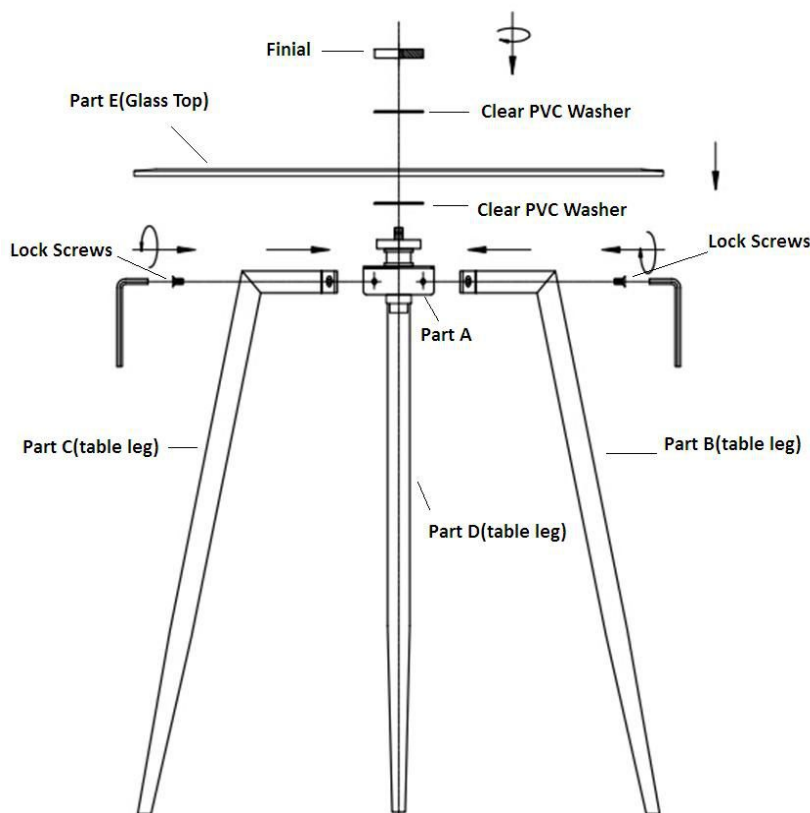
by UTTERMOST

ASSEMBLY INSTRUCTIONS

STYLE#: **R24658**

Careful unpack all Table parts from the carton.

1. Take all parts carefully out of the Carton, and Place the all parts in an upright position on the floor.
2. Place **Part B, Part C** and **Part D** onto the hole of **Part A**, and thread the Lock Screws onto the hole and tighten it.
3. Place the **Part E (Glass Top)** onto the **Part A** with protection Clear PVC washer in between as shown on the drawing.
4. Thread the **Finial** clockwise on top of the **Part E (Glass Top)**, then tighten.



R24658

PO BOX 558/3325 GRASSY HILL RD. ROCKY MOUNT, VIRGINIA 24151
www.revelationbyuttermost.com