

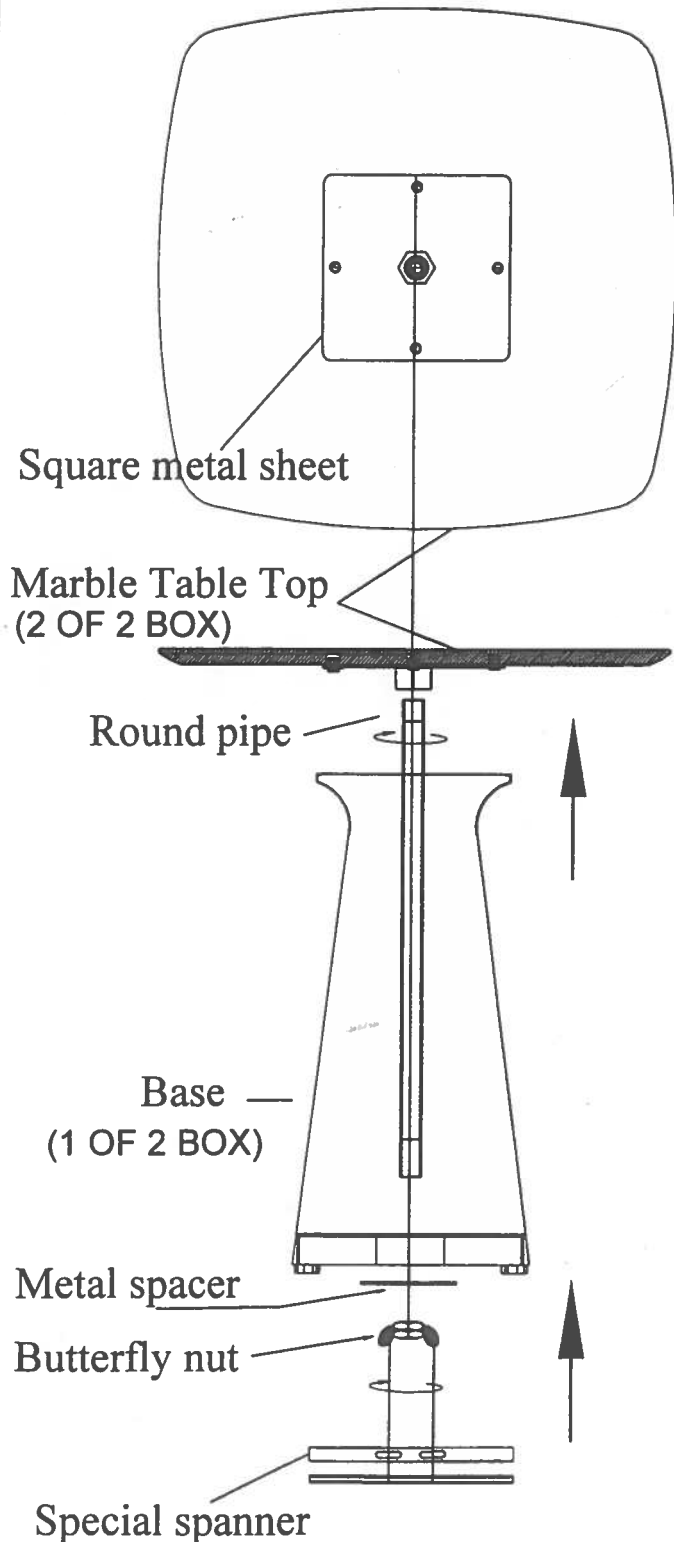
REVELATION

by UTTERMOST

ASSEMBLY INSTRUCTIONS

Assembly Instruction

STYLE NO.: R24063



1. Take the parts carefully out of the carton, place them on a flat surface, make sure that the parts will not be damaged.

2. Screw the round pipe under the marble table top until tight.

3. Put marble table top to base, the base need to cover the square metal sheet on the back of the table top; the round pipe need to pass through the hole at the bottom of base.

4. Put the metal spacer at the bottom of base, screw butterfly nut to the round pipe, lock the base to the table top together.

5. Clamp the two holes of the special spanner on the butterfly nut, screw it until tight.

To clean, wipe with soft dry cloth.

NOTE: THE DRAWING OF THE TABLE IS FOR REFERENCE ONLY.