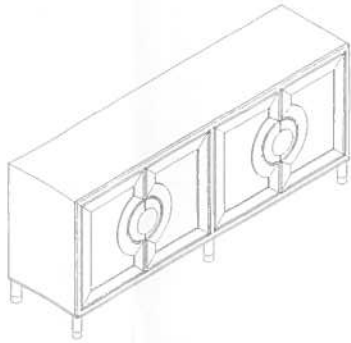


# REVELATION

by UTTERMOST

ASSEMBLY INSTRUCTION FOR ITEM #R24053



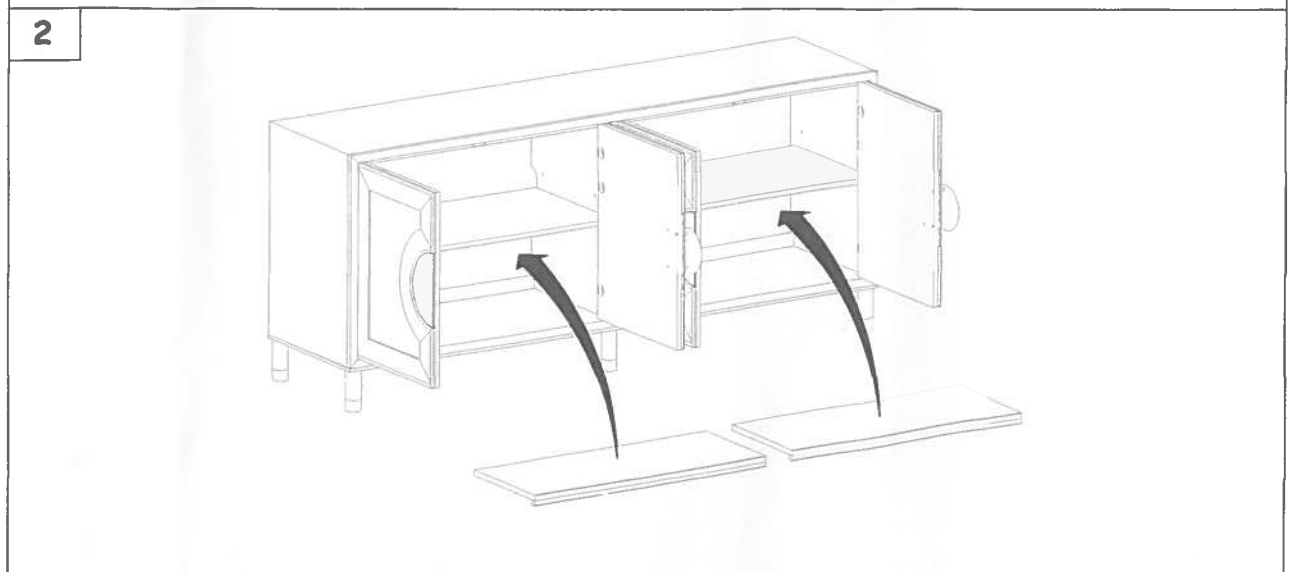
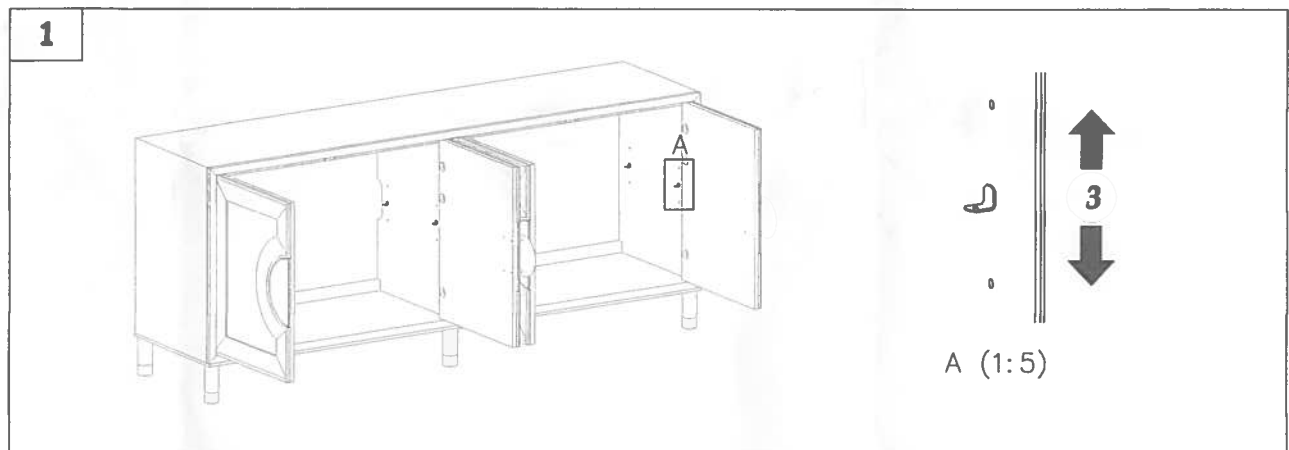
**1 Body - 1 Pcs**



**2 Shelf - 2 Pcs**



**3 Shelf Holder - 8 Pcs**



# Door hinge adjustment Ins

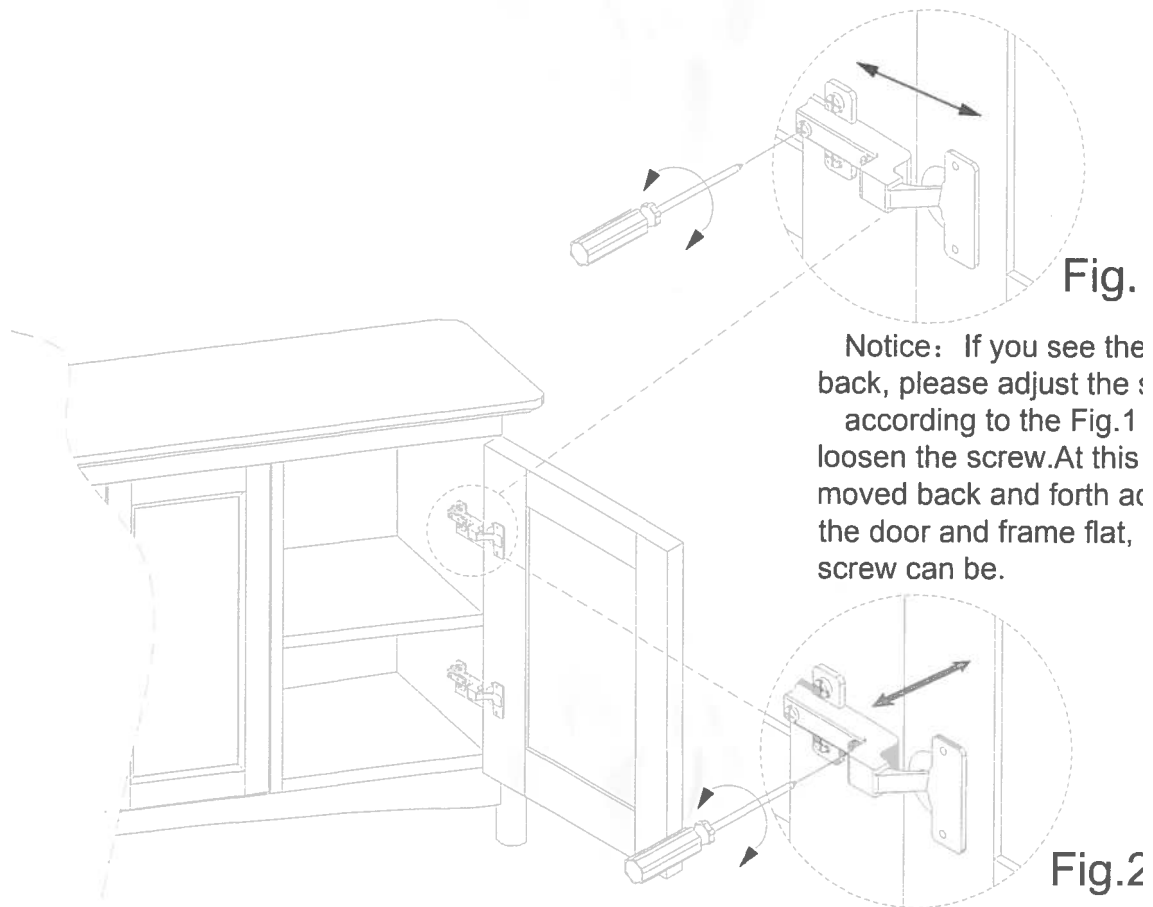


Fig. 1

Notice: If you see the door is not flush with the cabinet back, please adjust the depth of the door according to the Fig. 1. To move the door back, loosen the screw. At this point, the door can be moved back and forth at the door and frame flat, the screw can be tightened.

Fig. 2

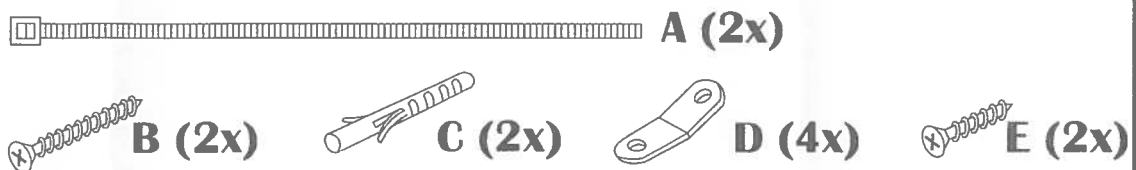
Notice: If you find the door is not aligned with the cabinet, please adjust the screw according to the Fig. 2. The door alignment. Gaps between the door and cabinet become bigger when the door is moved back, otherwise smaller when the door is moved forward.

# REVELATION

by UTTERMOST

## ANTI TIP KIT ASSEMBLY INSTRUCTION

### ANTI TIP KIT



- (A) Nylon strap
- (B) Long Screw
- (C) Plastic screw anchor
- (D) Mounting brackets
- (E) Short screw

