


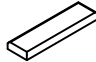

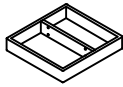


REVELATION

by UTTERMOST

Assembly Instruction

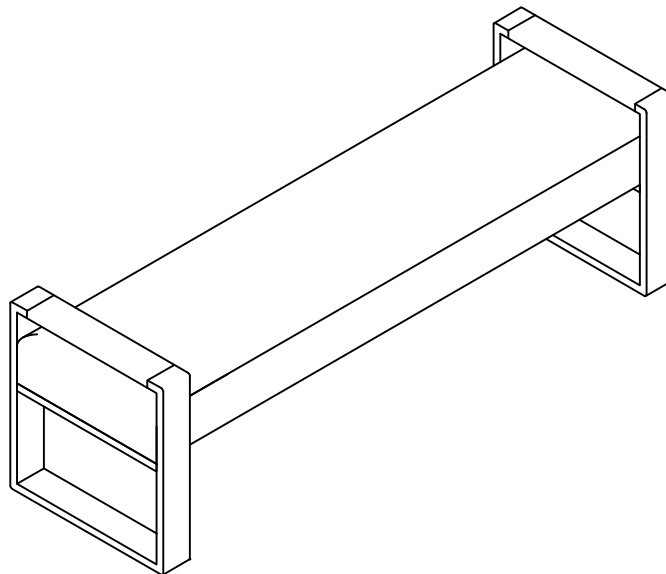
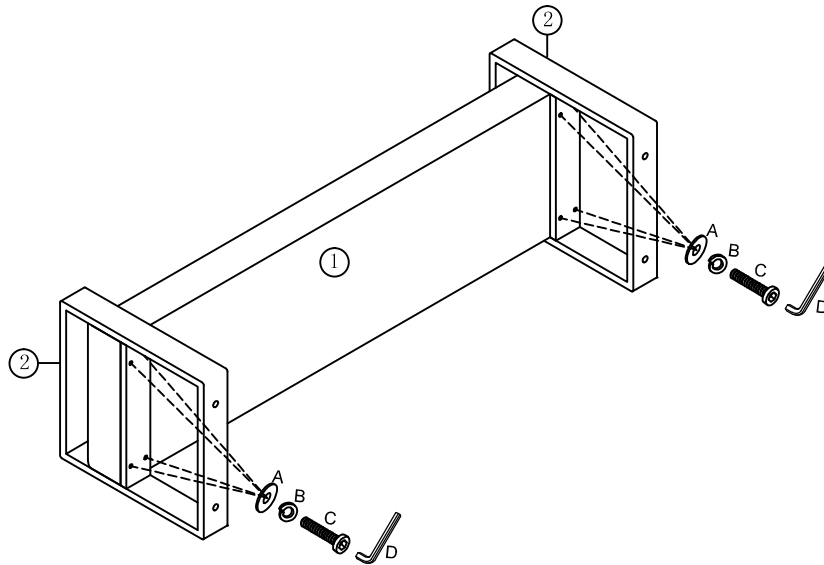
R23567

PARTS LIST

NO	DRAWING	PARTS NAME	Q'TY	NO	PARTS NAME	DRAWING	Q'TY
A		FLAT WASHER 5/16"*2"	8PCS	1	SEAT FRAME		1PC
B		LOCK WASHER 5/16"	8PCS	2	LEG		2PCS
C		BOLTS DIA 5/16"*2"	8PCS				
D		ALLÈN WRENCH 5/16"	1PC	3			

STEP 1

ASSEMBLY BOLTS MAY NEED TIGHTEND AFTER USE



To avoid wobbly product , please follow below steps to assemble:

- 1) Attach the legs. Do not completely tighten the bolts that hold the legs.
- 2) Set the chair on the floor to level and then finish tightening the leg bolts.

PO BOX 558/3325 GRASSY HILL RD, ROCKY MOUNT, VIRGINIA 24151

www.revelationbyuttermost.com