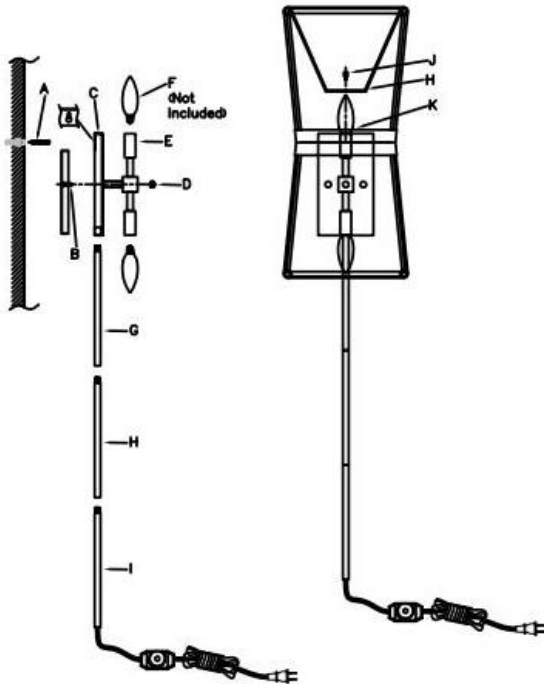


REVELATION
by UTTERMOST
ASSEMBLY INSTRUCTIONS

Illustration for Portable version

ITEM NO: R22562&R22563



P.O. Box 558 | 3325 Grassy Hill Road | Rocky Mount, VA | 24151
www.uttermost.com/Revelation

REVELATION
by UTTERMOST
ASSEMBLY INSTRUCTIONS

ITEM NO: R22562&R22563

WARNING: TO AVOID RISK OF ELECTRICAL SHOCK, BE SURE TO SHUT OFF
WHILE POWER BEFORE INSTALLING OR SERVICING THIS FIXTURE.

We suggest a licensed professional electrician for installation

CORD COVER ASSEMBLY(OPTION I)

1. Carefully remove the parts and hardware from the carton.
2. Screw thread the cord cover(G)bottom thread opening of back plate(C).Thread cord cover(H)into cord cover(G),thread cord cover(I)into cord cover(H)and hand tighten.
3. Buckled B into the back plate(C)and secured with two small ball finials.
4. Install plastic anchors in the wall and insert mounting screw(A),hang the back plate(C)through the key hole into the mounting screw(A).
5. Place the shade on the Back Plate(C),the spider's hole must aligned with the top hole of the back plate(C),fix it by the ball finial(J).
6. Install Type B bulbs(F)(NOT INCLUDED) into the socket of the fixture.

P.O. Box 558 | 3325 Grassy Hill Road | Rocky Mount, VA | 24151
www.uttermost.com/Revelation

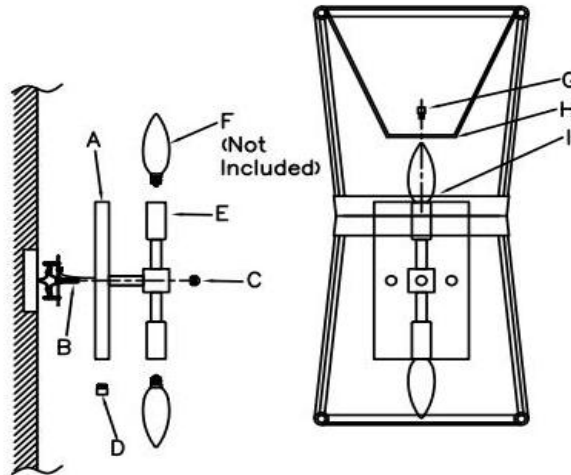
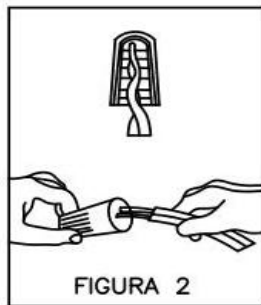
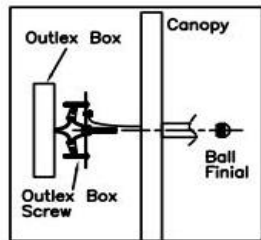
REVELATION

by UTTERMOST

ASSEMBLY INSTRUCTIONS

Illustration for Sconce version

ITEM NO: R22562&R22563



REVELATION

by UTTERMOST

ASSEMBLY INSTRUCTIONS

ITEM NO: R22562&R22563

WARNING: TO AVOID RISK OF ELECTRICAL SHOCK, BE SURE TO SHUT OFF

WHILE POWER BEFORE INSTALLING OR SERVICING THIS FIXTURE.

We suggest a licensed professional electrician for installation

DIRECT WIRE INSTALLATION(OPTION II)

1. Carefully remove the parts and hardware from the carton.
2. Cut the fixture cord twelve inches away from back plate(A)and remove by grasping plug and pulling out of cord cover(G,H,I).
3. Fasten the Universal bar onto the Outlet Box using the mounting screw .
4. Install both ground wires in the Universal bar with the Green Ground Screw supplied.
5. Place the white wire, ribbed or tinted wire evenly against the white wire from the outlet box and place the black, smooth or un-tinted wire evenly against the black wire from the outlet box. (Connecting the Wires - See Figure 2)
6. Attach the back plate(A)to fix universal bar, and secure with screws.
7. Using D to block the bottom hole of the back plate(A).
8. Repeat the above step5,6.

P.O. Box 558 | 3325 Grassy Hill Road | Rocky Mount, VA | 24151
www.uttermost.com/Revelation

P.O. Box 558 | 3325 Grassy Hill Road | Rocky Mount, VA | 24151
www.uttermost.com/Revelation