

REVELATION

by UTTERMOST

ASSEMBLY INSTRUCTIONS

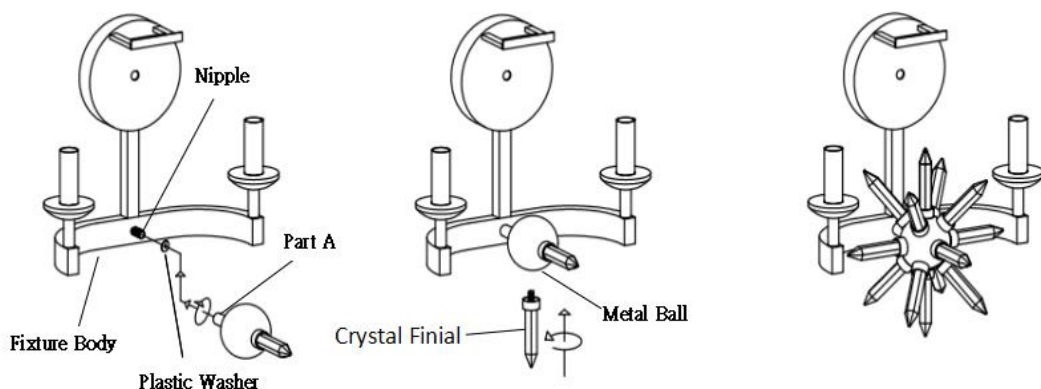
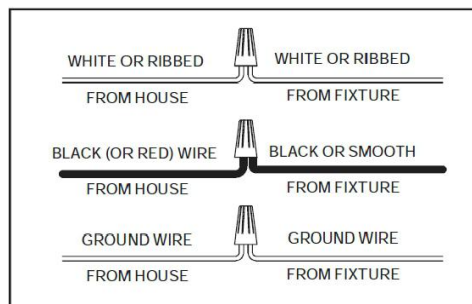
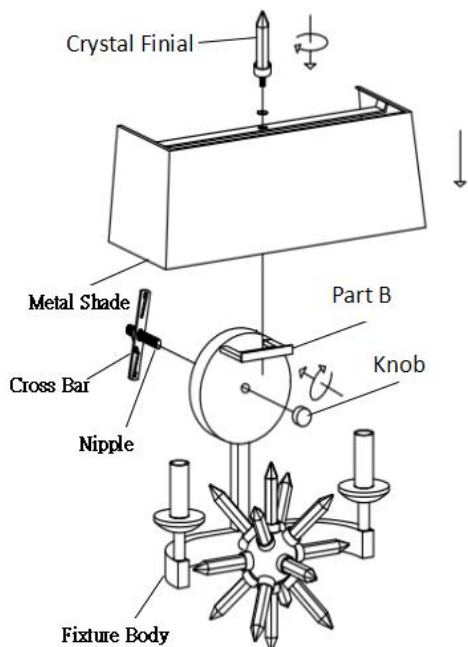
STYLE# **R22538**

WARNING: TO AVOID RISK OF ELECTRICAL SHOCK, BE SURE TO SHUT OFF POWER BEFORE INSTALLING OR SERVICING THIS FIXTURE.

Carefully unpack all lamp parts from carton. We suggest a licensed electrician for all fixture installations.

1. Take the lamp carefully out of the Carton, and place on a flat surface.
2. Be sure power to the installation point is OFF.
3. Pull the power supply wire out from the outlet box and mount the **Cross Bar** to the outlet box with Outlet Box Screws.
4. Connect the wire as shown.
 - a. Connect the House Ground Wire to the Fixture Ground Wire, secure with wire nut.
 - b. Connect the House White (or Ribbed) Wire to the Fixture Supply Wire (White or Ribbed Side), secure with wire nut.
 - c. Connect the House Black (or Red) Wire to the Fixture Supply Wire (Black or Smooth Side), secure with wire nut.
 - d. Carefully stuff all of the connected wires into the Outlet Box.
5. Attach **Fixture Body** over the **Nipple** and secure againse by threading **Knob** onto end of **Nipple**. Tighten until snug.
6. Thread **Crystal Finials** into **Ball** by turning **Crystal Finials** clockwise to tighten until snug.
7. Install the correct Bulb (Not Included) into the Socket until snug.
8. Place the **Metal Shade** carefully onto the **Fixture Body** and thread the **Finial** and **Plastic Washer** into **Part B** to secure it..

Your installation is complete. Turn electrical power back on.



PO BOX 558/3325 GRASSY HILL RD. ROCKY MOUNT, VIRGINIA 24151

www.uttermost.com