

REVELATION

by UTTERMOST

ASSEMBLY INSTRUCTIONS

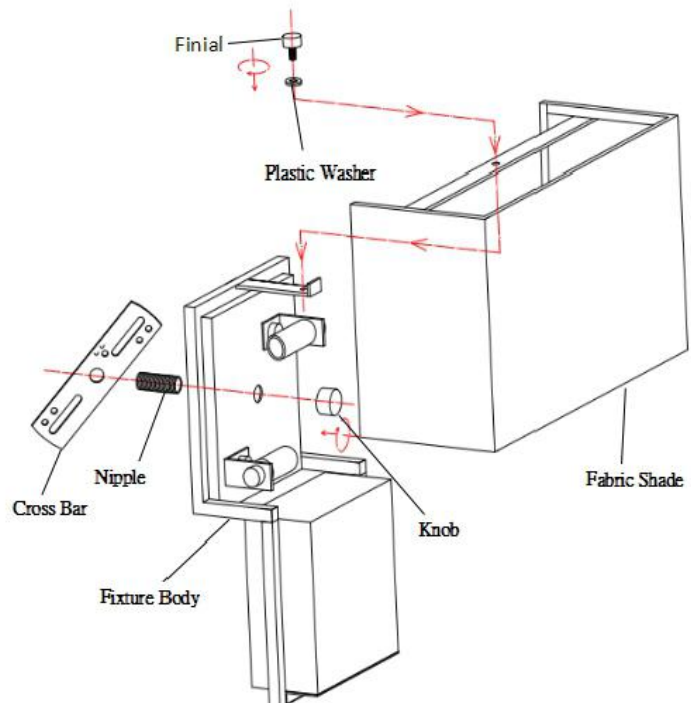
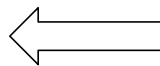
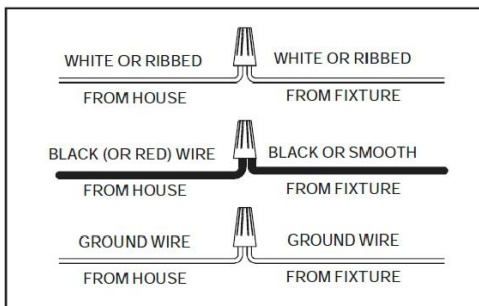
STYLE# **R22536**

WARNING: TO AVOID RISK OF ELECTRICAL SHOCK, BE SURE TO SHUT OFF POWER BEFORE INSTALLING OR SERVICING THIS FIXTURE.

Carefully unpack all lamp parts from carton. We suggest a licensed electrician for all fixture installations.

1. Take the lamp carefully out of the Carton, and place on a flat surface.
2. Be sure power to the installation point is OFF.
3. Pull the power supply wire out from the outlet box and mount the **Cross Bar** to the outlet box with Outlet Box Screws.
4. Connect the wire as shown.
 - a. Connect the House Ground Wire to the Fixture Ground Wire, secure with wire nut.
 - b. Connect the House White (or Ribbed) Wire to the Fixture Supply Wire (White or Ribbed Side), secure with wire nut.
 - c. Connect the House Black (or Red) Wire to the Fixture Supply Wire (Black or Smooth Side), secure with wire nut.
 - d. Carefully stuff all of the connected wires into the Outlet Box.
5. Attach **Fixture Body** over the **Nipple** and secure again by threading **Finial** onto end of **Nipple**. Tighten until snug.
6. Install the correct Bulb (Not Included) into the Socket until snug.
7. Place the Fabric Shade carefully onto the Fixture Body and thread the Finial and Plastic Washer to secure it..

Your installation is complete. Turn electrical power back on.



PO BOX 558/3325 GRASSY HILL RD. ROCKY MOUNT, VIRGINIA 24151

www.uttermost.com