

# REVELATION

by UTTERMOST

## ASSEMBLY INSTRUCTIONS

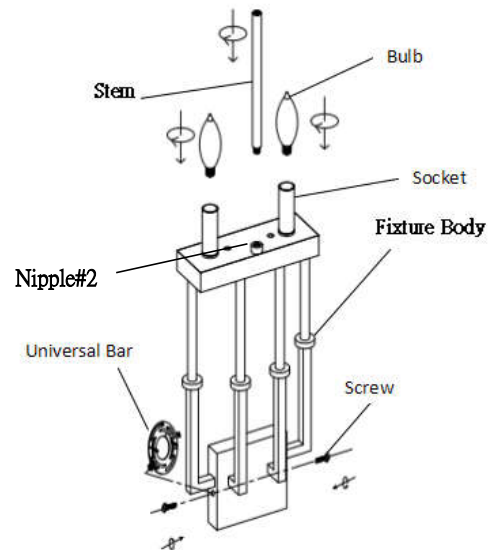
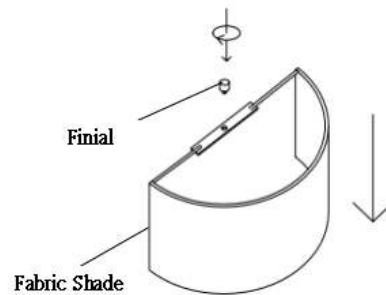
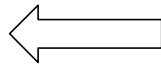
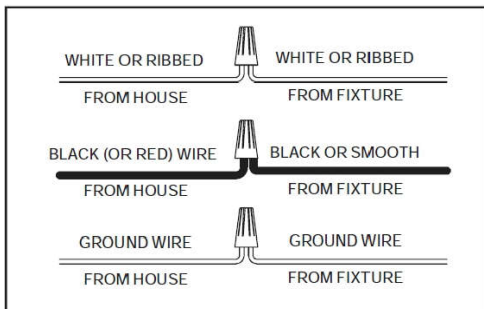
STYLE# **R22533**

**WARNING:** TO AVOID RISK OF ELECTRICAL SHOCK, BE SURE TO SHUT OFF POWER BEFORE INSTALLING OR SERVICING THIS FIXTURE.

*Carefully unpack all lamp parts from carton. We suggest a licensed electrician for all fixture installations.*

1. Take the lamp carefully out of the Carton, and place on a flat surface.
2. Be sure power to the installation point is OFF.
3. Pull the power supply wire out from the outlet box and mount the **Universal Bar** to the outlet box with Outlet Box Screws.
4. Connect the wire as shown.
  - a. Connect the House Ground Wire to the Fixture Ground Wire, secure with wire nut.
  - b. Connect the House White (or Ribbed) Wire to the Fixture Supply Wire (White or Ribbed Side), secure with wire nut.
  - c. Connect the House Black (or Red) Wire to the Fixture Supply Wire (Black or Smooth Side), secure with wire nut.
  - d. Carefully stuff all of the connected wires into the Outlet Box.
5. Attach **Fixture Body** over **Universal Bar** and secure with **Screw**. Tighten until snug with screw drivers.
6. Thread the **Stem** onto **Nipple**, and place the **Fabric Shade** on the **Stem**. Then fasten **Finial** onto **Stem**. Tighten until snug.
8. Install the correct Bulb (Not Included) into the Socket until snug.

**Your installation is complete. Turn electrical power back on.**



PO BOX 558/3325 GRASSY HILL RD. ROCKY MOUNT, VIRGINIA 24151

[www.uttermost.com](http://www.uttermost.com)