

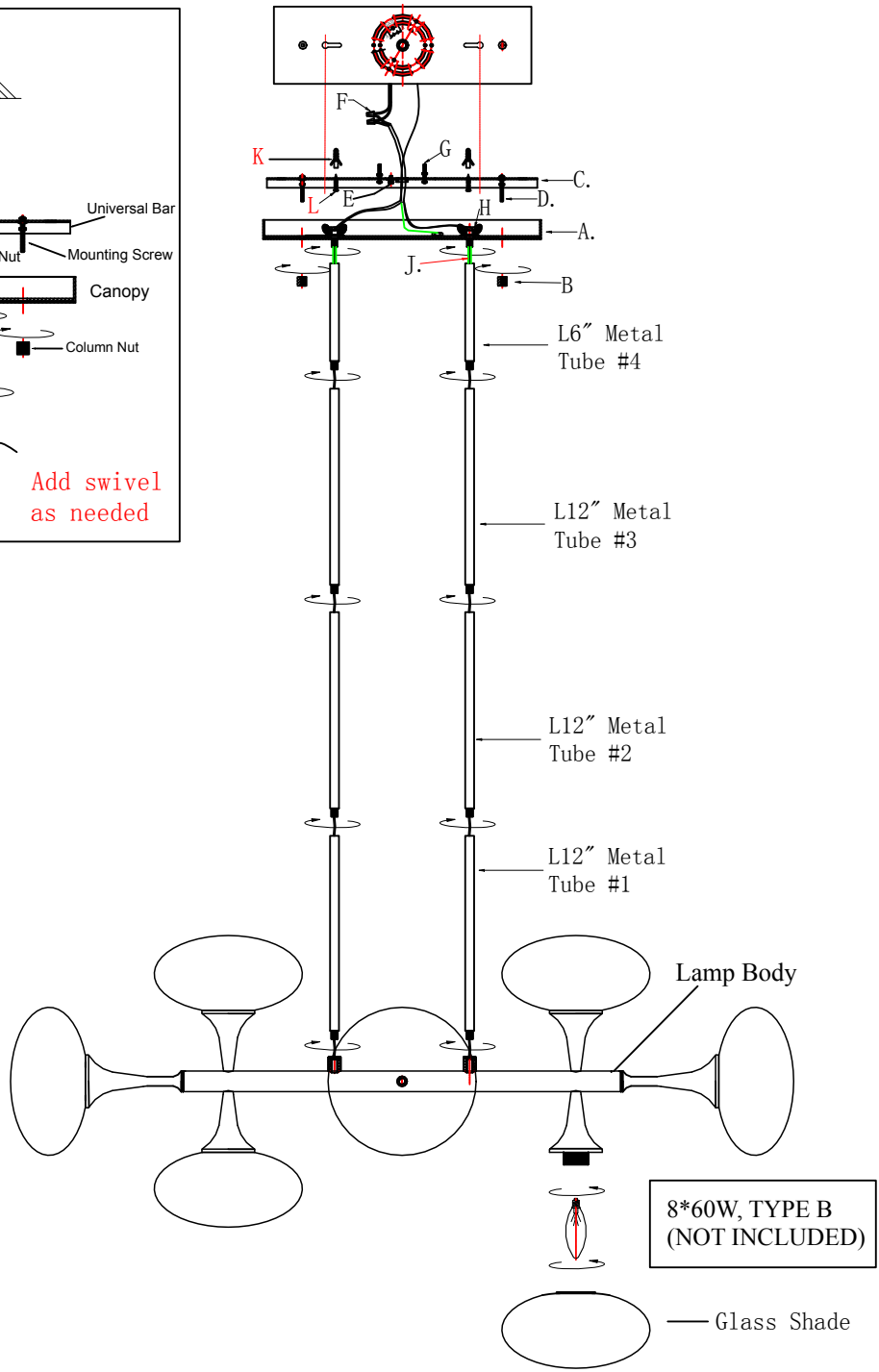
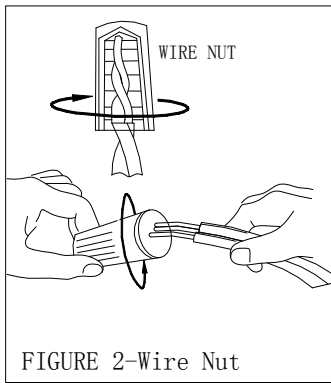
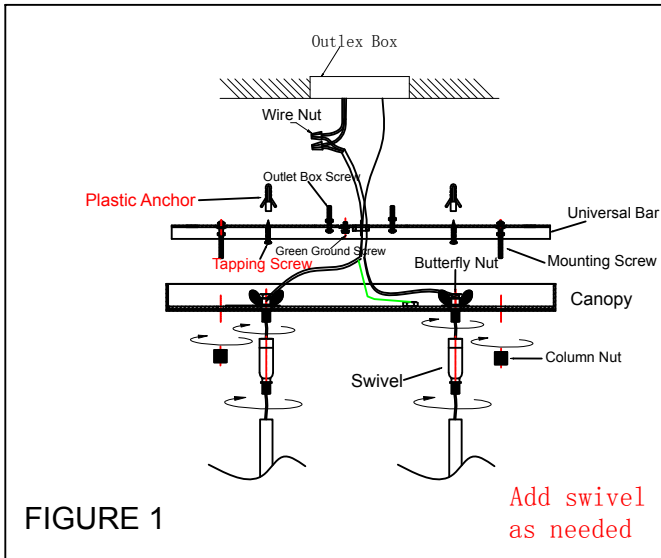
REVELATION

by UTTERMOST

ASSEMBLY INSTRUCTIONS

Illustration

STYLE NO. : R21373



REVELATION

by UTTERMOST

ASSEMBLY INSTRUCTIONS

ITEM NO. :R21373

Parts and Hardware List

A.	Canopy	1PC
B.	Column Nut	2PCS
C.	Universal Bar	1PC
D.	Mounting Screw	2PCS
E.	Green Ground Screw	1PC
F.	Wire Nut	3PCS
G.	Outlet Box Screw	2PCS
H.	Butterfly Nut	2PCS
I.	Swivel	2PCS
J.	White fiber glass sleeve	2PCS
K.	Plastic anchor	2PCS
L.	Tapping screw	2PCS
M.	L12" metal tube	6PCS
N.	L6" metal tube	2PCS

Please make sure that you have all the parts indicated before you begin assembling this item.
Please read Wiring Instructions before you begin assembling and installing your Ceiling Fixture.

WARNING: BEFORE INSTALLING, make sure the electricity supply is shut off to avoid a possible electric shock. We suggest a licensed electrician for all lighting fixture installations.

Assembly Instruction

1. Take the parts carefully out of the carton, place them on a flat surface, and make sure that the parts will not be damaged.
2. Remove the Column Nuts(B) under the Canopy(A) from the Mounting Screws(D), and take out the Universal Bar(C). Attach the Universal Bar(C) to the Outlet Box using two Outlet Box Screws(G). (See Figure1)
3. Adjust the length of the wire needed for your installation, remove excess, determine the number of Rods to be assembled to the Fixture Body as needed for your hanging height, then the metal tube #1 passes through the wire and screw the Lamp body onto the Metal Tube #1 until tight.
4. Repeat Step 3 with the Metal Tube #2,#3 and #4 as needed for your installation height.
then use (J) white fiber glass sleeve to protect wires in (I) swivel, using Butterfly nuts (H) to secure Swivels tightly. Please note two swivels need to adjust in same direction. **If you don't need swivels, you can screw the metal tube#4 on canopy directly.**
7. Install the ground wire in the Universal Bar(C) with the supplied Green Ground Screw(E).
8. Place the neutral wire, ribbed wire evenly against the ribbed wire from the Outlet Box and place the hot wire, smooth wire evenly against the smooth wire from the Outlet Box. (Connecting the Wires-See Figure 2)
9. After the wires are connected, tuck them carefully inside the Outlet Box. attach the Canopy (A) to the Mounting Screws(D) and secure with two Ball Nuts(B). (See Figure1)
10. Install 8*60W max, Type B bulbs (NOT INCLUDED) into the socket of the fixture, then screw the glass shade onto the socket until tight.