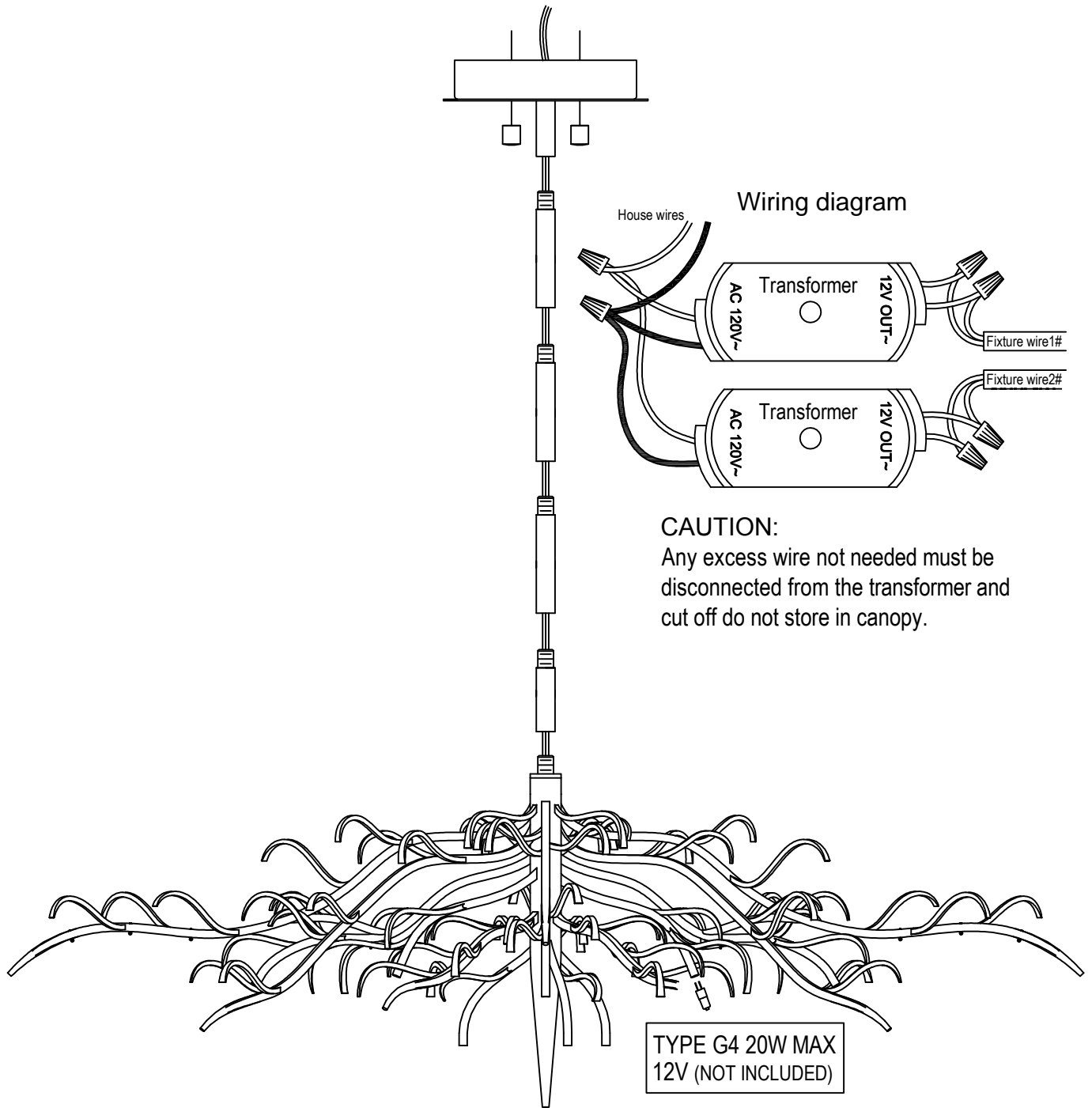


REVELATION

by UTTERMOST

ASSEMBLY INSTRUCTIONS

R21371



CAUTION:

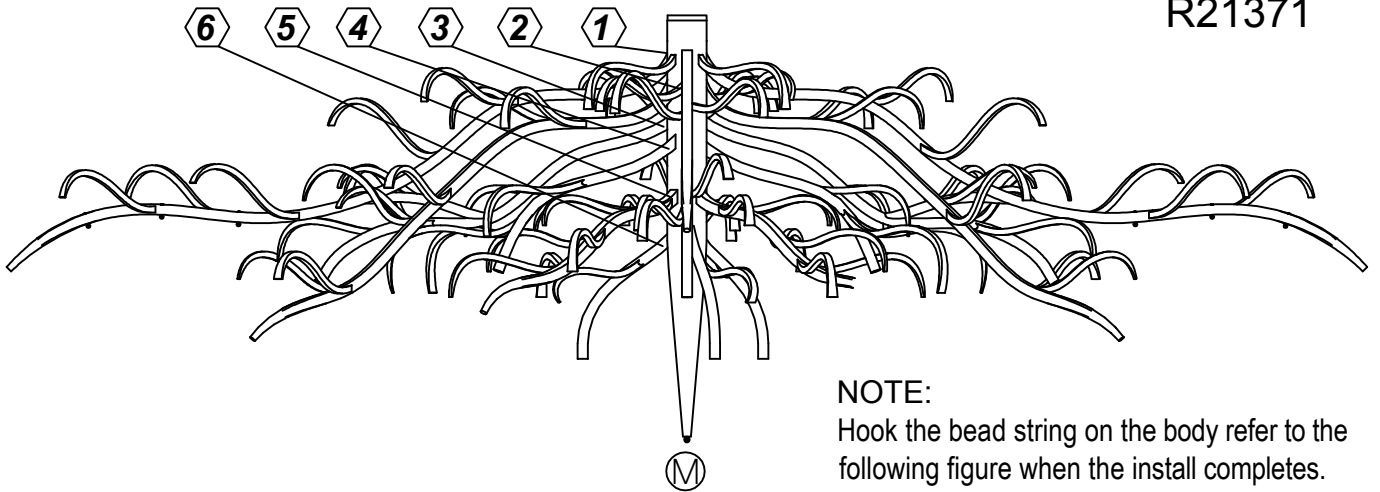
Any excess wire not needed must be disconnected from the transformer and cut off do not store in canopy.

REVELATION

by UTTERMOST

ASSEMBLY INSTRUCTIONS

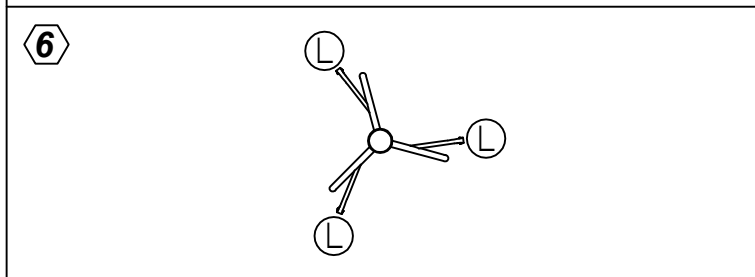
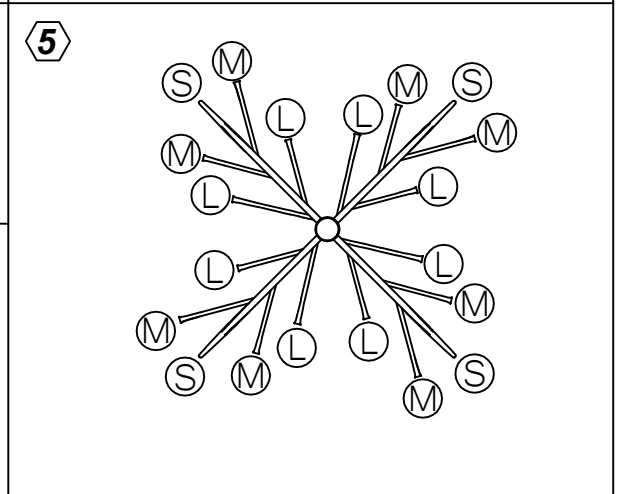
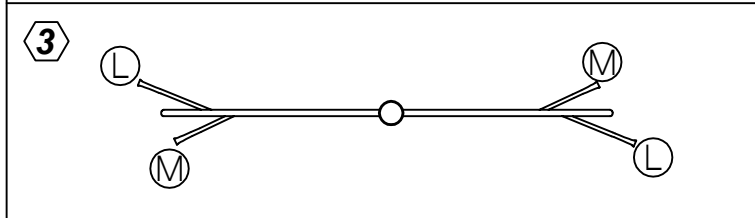
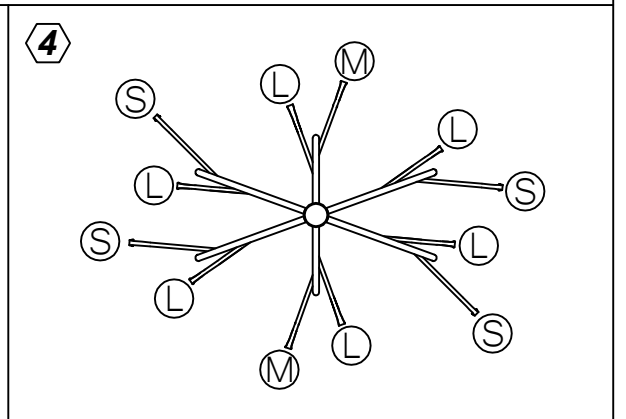
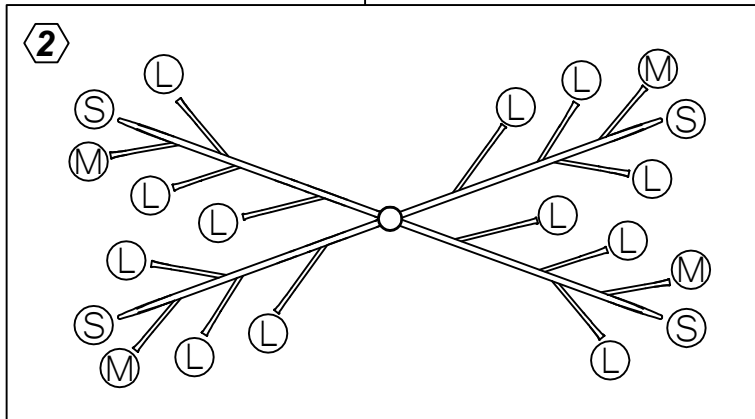
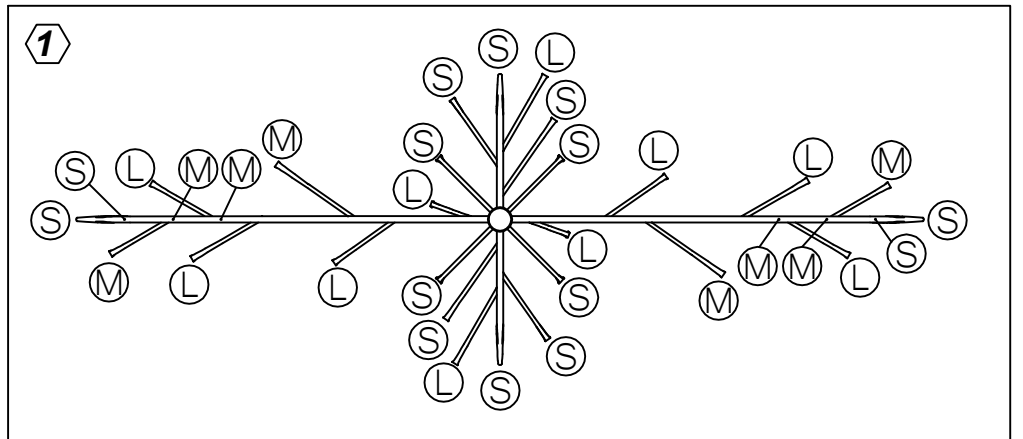
R21371



NOTE:

Hook the bead string on the body refer to the following figure when the install completes.

(S)	(M)	(L)
X26	X25	X41



REVELATION

by UTTERMOST

ASSEMBLY INSTRUCTIONS

IMPORTANT: FOR A SAFE AND SECURE INSTALLATION, THESE FIXTURES MUST BE INSTALLED BY MEANS OF SUPPORTS THAT ARE INDEPENDENT OF THE OUTLET BOX. YOU SHOULD USE A QUALIFIED ELECTRICIAN TO INSTALL THIS FIXTURE.

NOTE: ALWAYS TURN POWER OFF BEFORE INSTALLING LIGHTING FIXTURES!

NOTE: THIS IS A LOW VOLTAGE FIXTURE (12V) IF USED WITH A DIMMER SWITCH IT MUST BE A COMPATIBLE ELECTRONIC LOW VOLTAGE (ELV) DIMMER.

Installation (see Fig. A)

1. Disconnect power at main electrical panel before installation.
2. Thread long nipple into hickey of mounting strap and secure with nut.
3. Place other end of the long nipple through outlet box and ceiling (load-bearing structure) and secure with washer and nut. Then fix mounting strap with box screws.
NOTE: The ceiling (load-bearing structure) must have at least the capacity of 5 times the weight of the fixture. For this fixture, a ceiling capacity of at least 330 lb. (150 kg) is required.
4. Assemble the fixture as shown in reference wiring diagram.
5. Raise the fixture to ceiling and place the safety cable through the hickey and secure with lock and screws.

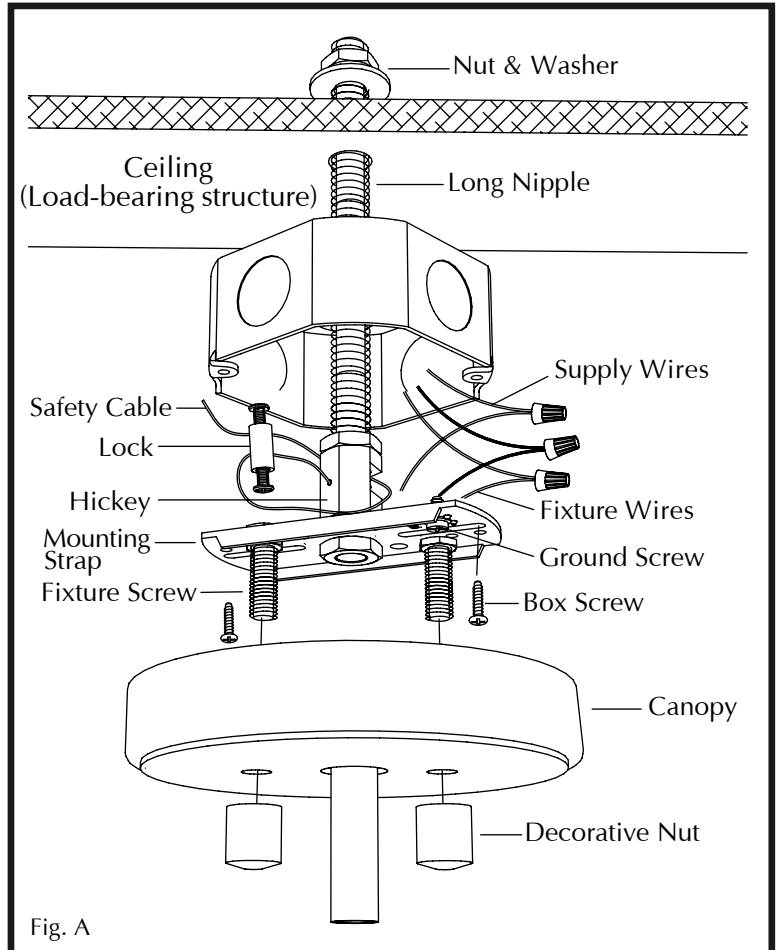


Fig. A

Wiring (see Fig. B)

6. Attach the fixture's wires to the power supply wires from the ceiling. Connect black to black (or smooth); white to white (or ribbed); ground to ground (green or copper). Twist the ends of the wire pairs together, then twist on a wire connector. Make sure all twists are in the same direction.
7. Place the canopy on the fixture over the mounting strap and onto the fixture screws, and secure into place using the decorative nuts.

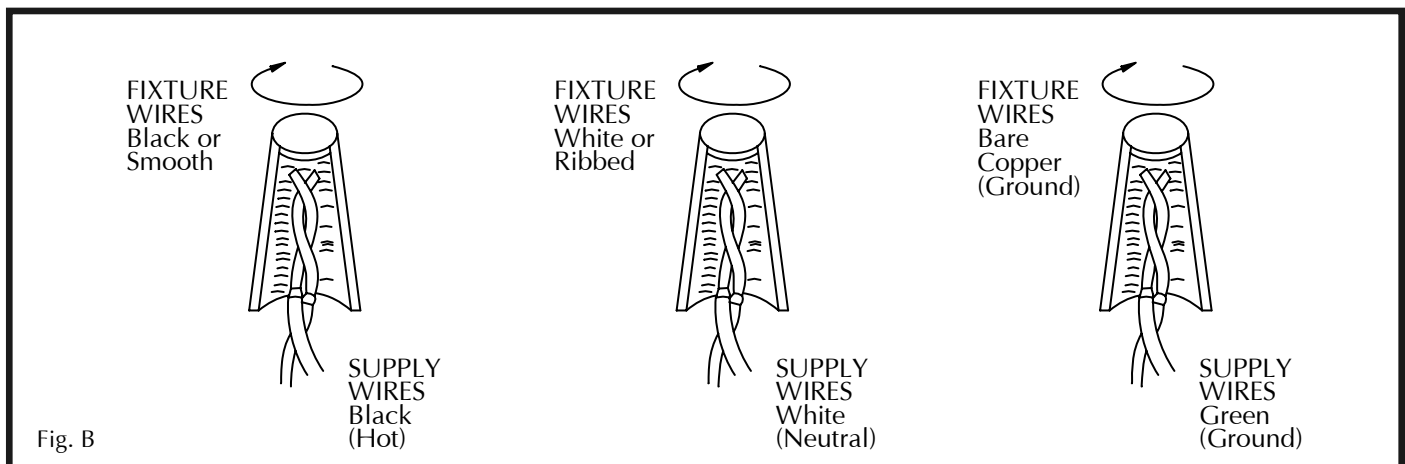


Fig. B