

# REVELATION

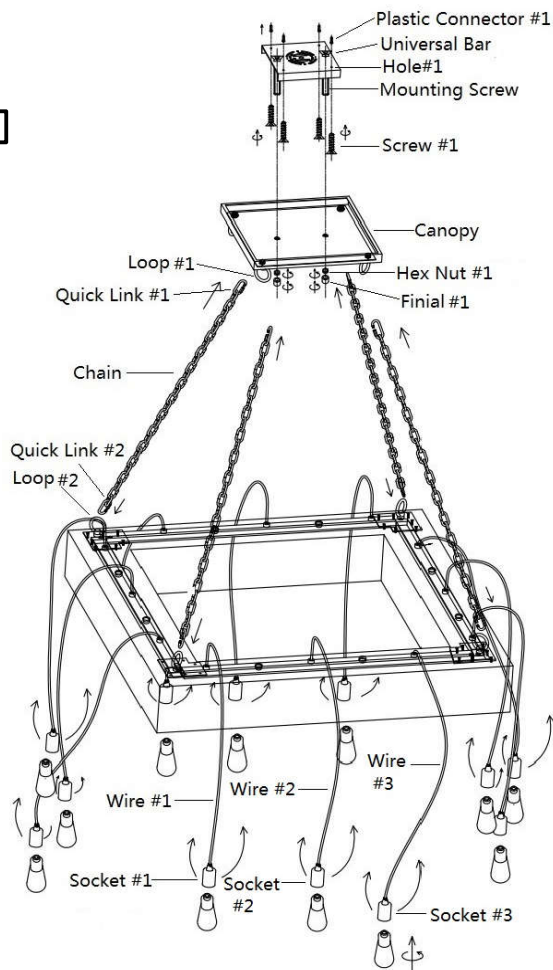
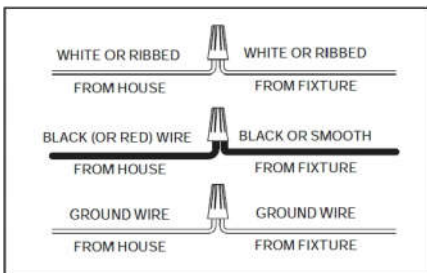
by UTTERMOST

## ASSEMBLY INSTRUCTIONS

STYLE# R21311

Carefully unpack all lamp parts from the carton.

1. Take the lamp carefully out of the Carton, and place it on a flat surface. Take care NOT to break the Socket.
2. Be sure the power to the installation point is off. This lamp must be installed on reinforced outlet box.
3. Secure the Plastic Connector #1 to the ceiling according to the position of Hole #1 and secure other three Plastic Connector to the ceiling according to the position of other three Holes on the Universal Bar.
4. Thread Screw #1 onto Hole #1 upside and thread the other three Screws onto other three Holes the same way.
5. Thread the two Mounting Screws downside onto the bigger two holes on the Universal Bar and Canopy. Lock the Canopy with the two Hex Nut. Then put on the two decorated Finials.
6. Decide the height of Chain you like. Thread Quick Link #1 into Loop #1 on Canopy, then Quick Link #2 into Loop #2 on the top of the lamp body. Hand tighten until snug. Lock the other three Chains on the other three sides the same way.
7. Pull the wire from the Canopy, then the center hole in the Universal Bar. The power supply wire consists of three wires, one black wire, one white wire and one green ground wire.
8. Connect the wires as shown : A. Connect the House Ground Wire to the Fixture Ground Wire.  
B. Connect the House White or Ribbed Wire to the Fixture Supply Wire (White or Ribbed Side).  
C. Connect the House Black/Red Wire to the Fixture Supply Wire (Black or Smooth Side).  
D. Wrap each connected wire with Wire Nut and carefully stuff all of the connected wires into the Outlet Box.
9. Secure all the four Screws on the Universal Bar into the Plastic Connectors.
10. The Wire can be wound as you like, or you also can wind them as follows.  
A. Wind Wire #1 counterclockwise one circle; B. Wind Socket #2 clockwise one circle;  
C. Wind Socket #3 counterclockwise two circles; D. Wind the Wires on the other three sides the same way.
11. Install the correct Bulbs in the Sockets referring to fixture markings and/or labels for maximum wattage. (Included)



R21311

PO BOX 558/3325 GRASSY HILL RD. ROCKY MOUNT, VIRGINIA 24151

[www.revelationbyuttermost.com](http://www.revelationbyuttermost.com)