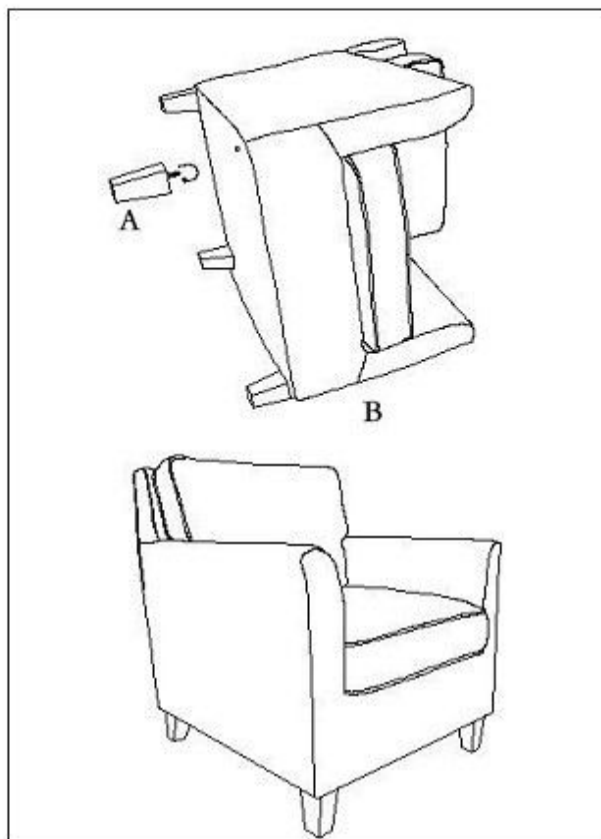




UTTERMOST



Assembly Instruction

Item# 23066

1. Take the parts carefully out of the carton, and place it on a flat surface,make sure that the parts will not be damaged.

2.secure the part(A)to the chair(B)

Parts list:

A: legs*4 B: chair*1

To Clean,wipe with soft dry cloth.
make sure the legs were secured in
correct postion as shown by illustration