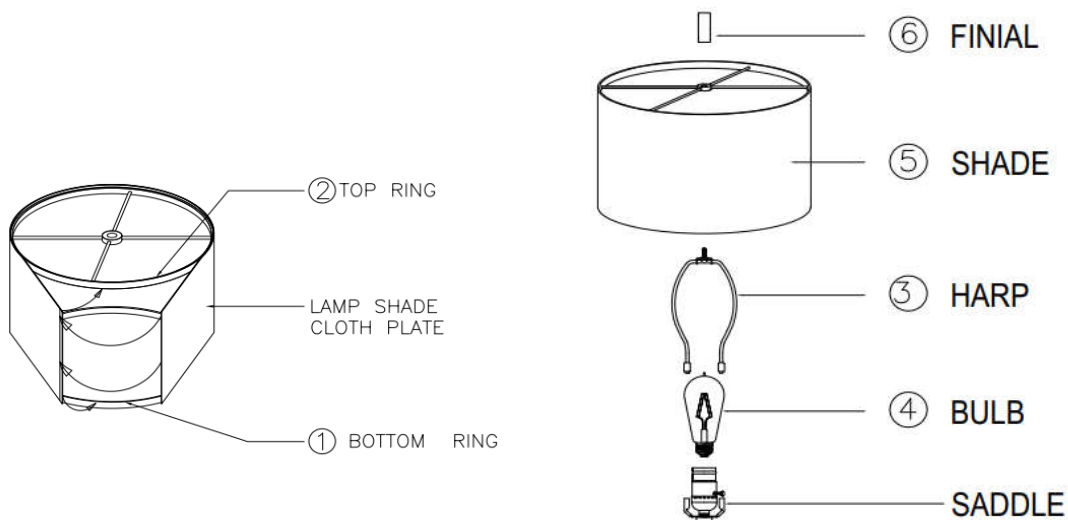


**Thank you for purchasing a lamp. We hope you are as proud to display this lamp as we were to make it.**

- Each lamp is hand finished one at a time, therefore no two are exactly alike.
- Take the parts carefully out of the carton, and place them on a flat surface.
- Remove the wrapping from the lamp shade, scissors will help, but be careful not to damage the shade.

## **Assembly Instructions**

1. Put the bottom ring on the table, then attach 3/4 white lampshade around the bottom ring.
2. Attach the top ring to the upper lampshade and the rest 1/4 lampshade to the bottom ring. Then fix the place where the lampshade is joined end to end.
3. Attach two legs of the lamp harp to the harp saddle.
4. Install the bulb. (Not included)
5. Place the lampshade on the lamp harp.
6. Screw the finial to secure the lampshade.



## **Important Safety Instructions**

This portable lamp has a polarized plug (one blade is wider than the other). As a safety feature, this plug will fit in a polarized outlet only one way. If the plug does not fit fully in the outlet, reverse the plug. If it still does not fit, contact a qualified electrician. Never use with an extension cord unless plug can be fully inserted. Do not attempt to defeat this safety feature.