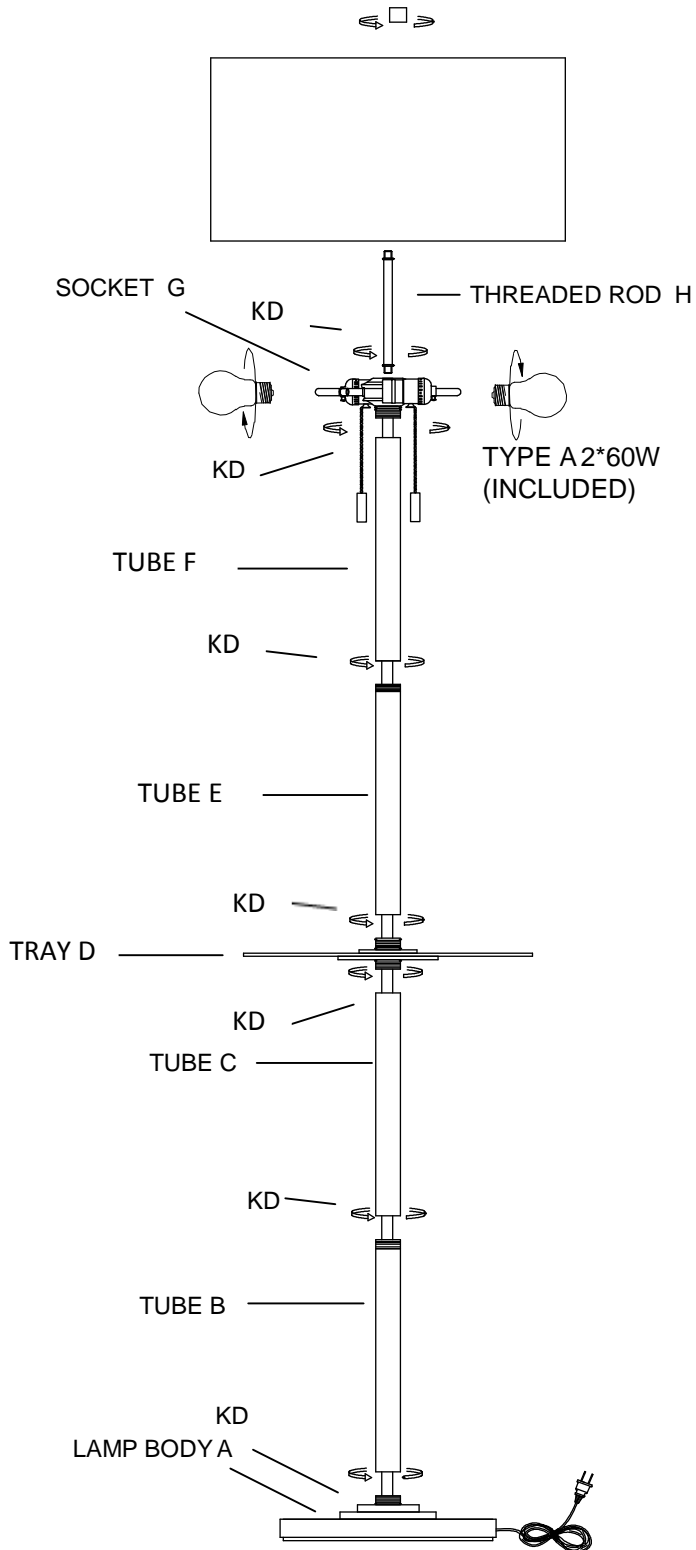


Assembly Instructions



STYLE NO.: W26082-1

1. Take the parts carefully out of carton, and place them on a flat surface, making sure that the parts will not be damaged.
2. Screw Tube B to Lamp Body A until tight.
3. Screw Tube C to Tube B until tight.
4. Screw Tray D to Tube C until tight.
5. Screw Tube E onto tray D until tight.
6. Screw Tube F to Tube E until tight.
7. Screw Socket G to Tube F until tight.
8. Screw Threaded Rod H into Socket G until tight.
9. Place the shade onto the top of threaded rod (H) and tighten the finial securing the shade.

To clean, wipe with soft dry cloth.

NOTE: THE DRAWING OF THE LAMP BODY IS FOR REFERENCE ONLY.