

# Door hinge adjustment Instructions

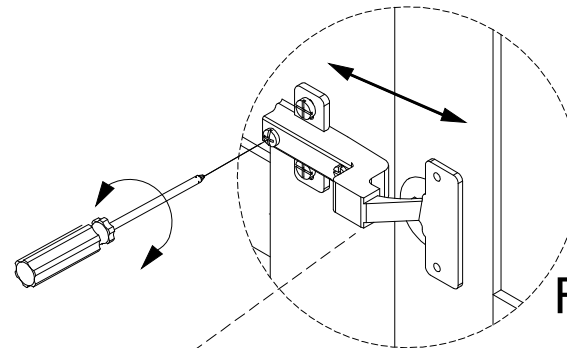


Fig.1

Notice: If you see the door moving in front and back, please adjust the screw on the hinge slightly according to the Fig.1 , Turn counterclockwise to loosen the screw. At this point the door can be moved back and forth adjustment. When adjusting to the door and frame flat, clockwise rotation, lock the screw can be.

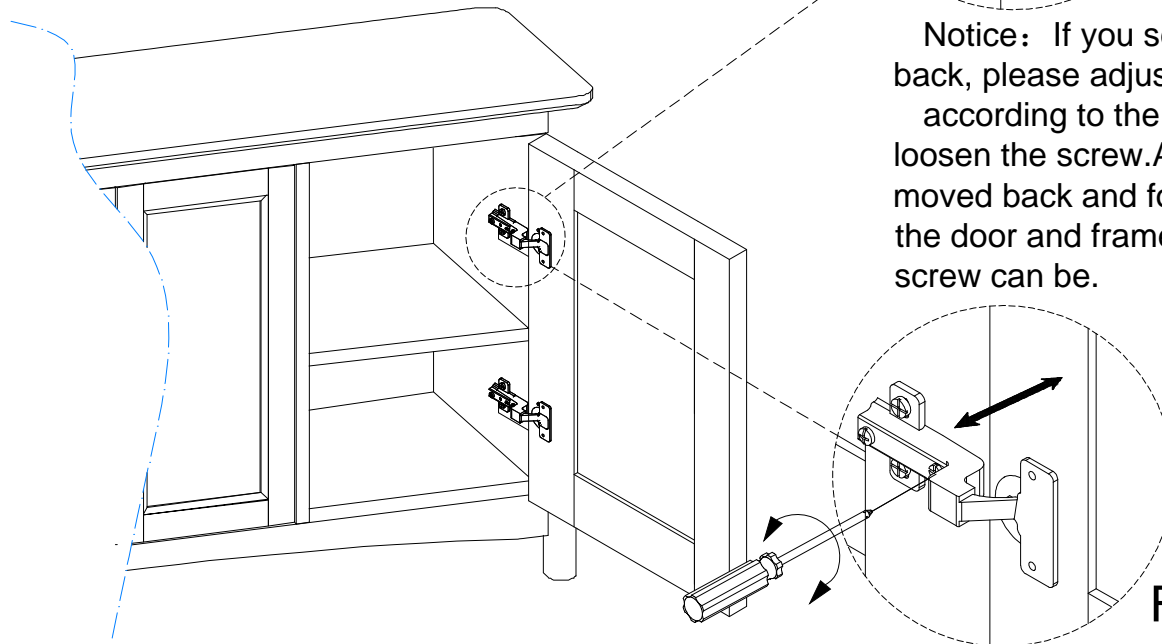


Fig.2

Notice: If found the door prone to misalignment, please adjust the screw on the hinge slightly according to the Fig.2, to make door is in alignment. Gaps between door and post become bigger when clockwise switch, otherwise smaller when counter clockwise.