



UTTERMOST

Assembly Instruction

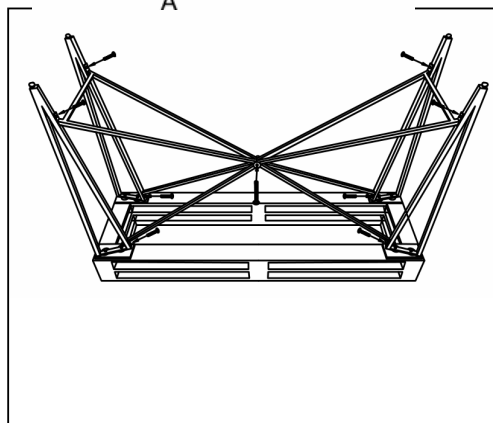
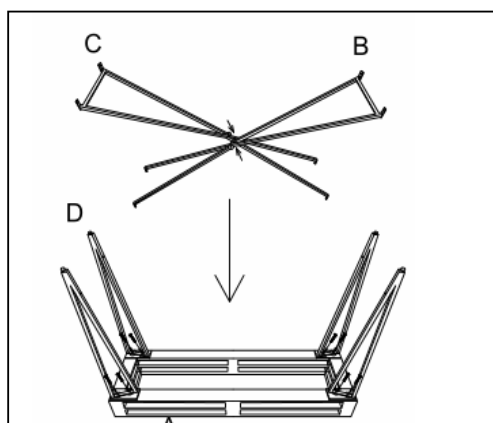
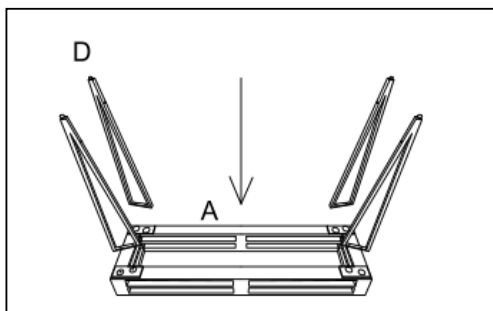
STYLE: 24874

Parts list

A	TABLE TOP	1PC
B	METAL SUPPORT	1PC
C	METAL SUPPORT	1PC
D	LEG	4PCS

Hardware list

ALLEN HEAD WRENCH	1PC
LONG HEAD BOLT	1PC
MEDIUM SIZE HEAD BOLT	8PCS
SHORT HEAD BOLT	8PCS



1. Take the parts carefully out of the carton, and place them on a flat surface, make sure that the parts will not be damaged.

2. Use the long allen head bolts to secure the legs (D) with the table top (A), use allen head wrench to screw them together, but do not screw tight first.

3. Put the metal support (B) cross with another metal support (C), insert the medium size allen head bolt into the holes of both metal supports, then use the allen head wrench to secure them tight.

4. Use the allen head bolts to secure the both metal support (B & C) with the legs (D), then use the short allen head wrench to screw all parts tight, include the legs.

To Clean, wipe with soft dry cloth.

Pls strictly assemble this item according to location labels in the same color.