

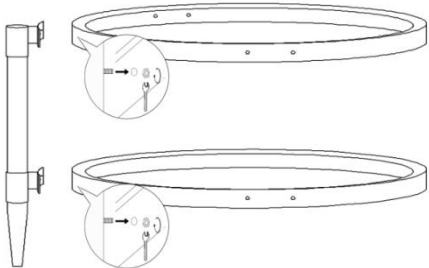
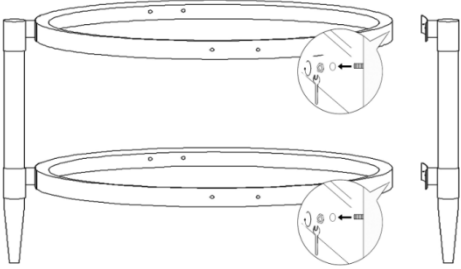
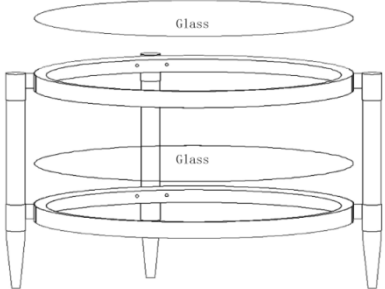
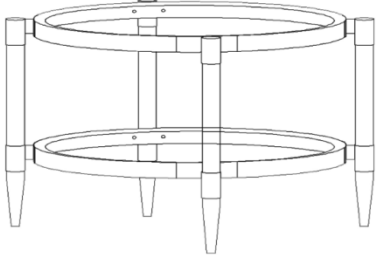
UTTERMOST

ASSEMBLY INSTRUCTIONS

Assembly Instruction

STYLE: 50361

Parts List		Hardware List	
A	GLASS TOP	1PC	SCREW NUT (size: M6X3MM) 16PCS
B	GLASS SHELF	1PC	WRENCH 1PC
C	METAL TABLE TOP FRAME	1PC	
D	METAL SHELF FRAME	1PC	
E	METAL TABLE LEG	4PCS	

	<p>1. Take ALL parts carefully out of the carton and place them on a flat surface. Be sure no parts are missing or damaged before assembling.</p> <p>2. Use the provided wrench to screw the 1st table leg to table top and shelf frames</p>
	<p>3. Use the wrench to screw the 2nd table leg (on opposite side) to the table top and shelf frames.</p>
	<p>4. Use the wrench and screw the 3rd table leg to the table top and shelf frames.</p> <p>5. Place glass into the table top and shelf frames and table leg</p>
	<p>6. Use the wrench and screw the 4th table leg to the table top and shelf frames.</p> <p>Assembly is complete. To clean, wipe with a soft cloth.</p>

UTTERMOST

ASSEMBLY INSTRUCTIONS
