










# UTTERMOST

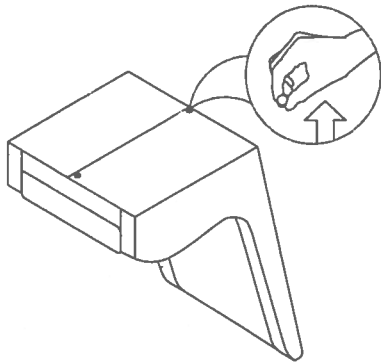
## ASSEMBLY INSTRUCTIONS

ITEM: 23728

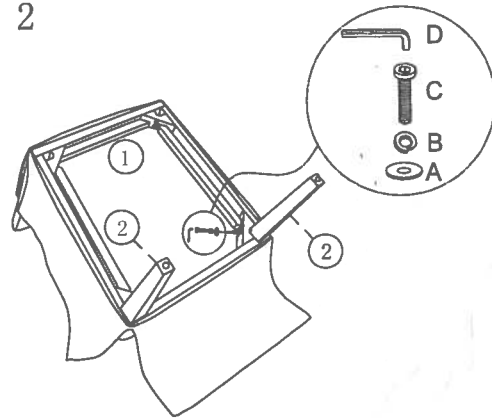
PARTS LIST							
NO	DRAWING	PARTS NAME	QTY	NO	PARTS NAME	DRAWING	QTY
A		FLAT WASHER 5/16" * 3/4"	8PCS	1	SEAT FRAME		1PC
B		LOCK WASHER 5/16"	8PCS	2	FRONT LEG		2PCS
C		BOLTS DIA 5/16" * 2"	8PCS	3	LEFT BACK LEG		1PC
D		ALLEN WRENCH 5/16"	1PC	4	RIGHT BACK LEG		1PC
				5	REMOVABLE BACK CUSHION		1PC

ASSEMBLY BOLTS MAY NEED TIGHTEND AFTER USE

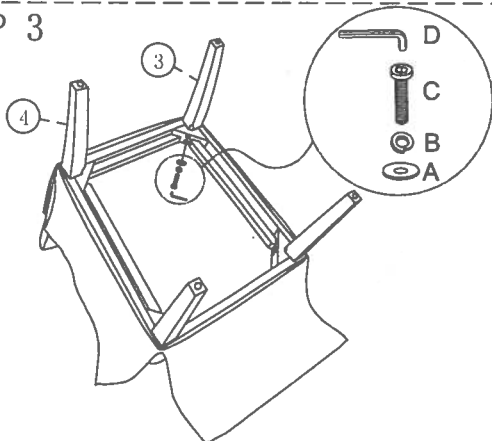
STEP 1 Pls move the button first.



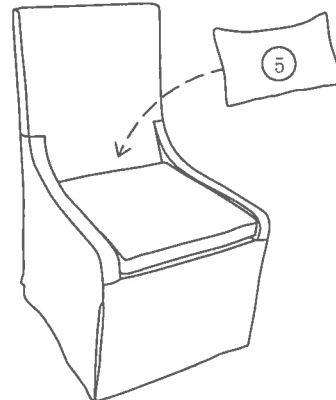
STEP 2



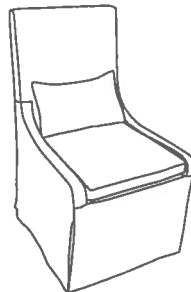
STEP 3



STEP 4



Note: the cover can be removed.



**re-tighten the leg bolts after using a period of time**

To avoid wobbly product, please follow below steps to assemble:

- 1) Attach the legs. Do not completely tighten the bolts that hold the legs.
- 2) Set the chair on the floor to level and then finish tightening the leg bolts.