

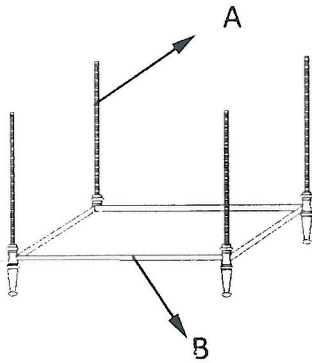


UTTERMOST

Assembly Instruction

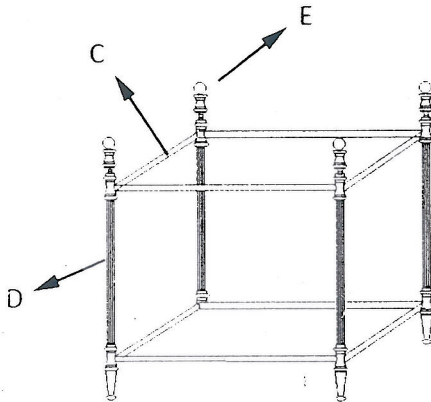
STYLE: 24281

Parts / Hardware list		
A	Threaded Rod with Foot	4-PC
B	Bottom Shelf	1 PC
C	Top Shelf	1 PC
D	Ribbed Tube	4 PCS
E	Threaded Finial	4 PCS

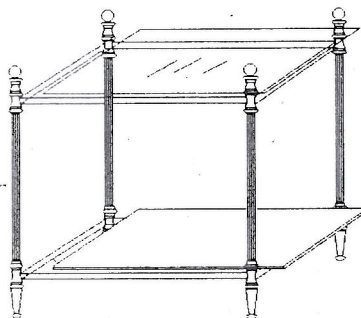


1. Take the parts carefully out of the carton, and place them on a flat and soft surface, making sure that the parts will not be damaged.

2. Let the 4 Threaded Rods With Foot (A) go through the 4 corners of Bottom Shelf (B) as shown.



3. Slide-in the 4 Ribbed Tubes (D) into 4 Threaded Rods (A) then place Top Shelf (C) on top.



4. Carefully place the clear glass top on Top Shelf (C) and the mirror top on Bottom Shelf (B).

To Clean, wipe with soft dry cloth.