



UTTERMOST

Assembly Instruction

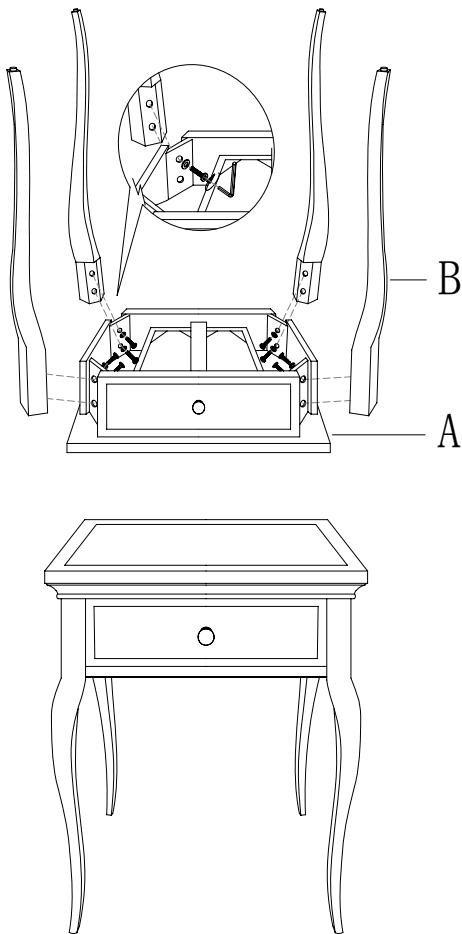
STYLE: 24157

Parts list

A	Table Top	1PC
B	Table Legs	4PCS

Hardware list

Allen head bolt	8PCS
Flat washer	8PCS
Allen Head Wrench	1PC



1. Take the parts carefully out of the carton, and then place them on a flat and soft surface, making sure that the parts will not be damaged.

2. Place the table top (A) upside down on a flat and soft surface, then individually use the allen head bolts and flat washers to fix the 4 Table Legs (B) to the Table Top (A), and then use the allen wrench to secure.

3. Turn over the Table and the assembly is complete.

To Clean, wipe with soft dry cloth.