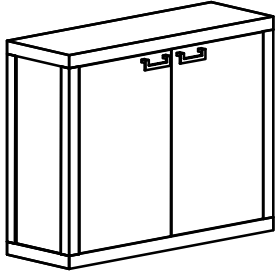
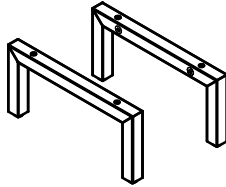


# UTTERMOST

## ASSEMBLY INSTRUCTION FOR ITEM # 25866



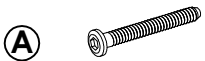
**1** Body = 1 pc.



**2** Leg - 2 pc.



**3** Shelf - 2 pc.



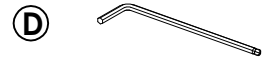
**A** JCBC M6 x 45 mm  
= 8 pcs.



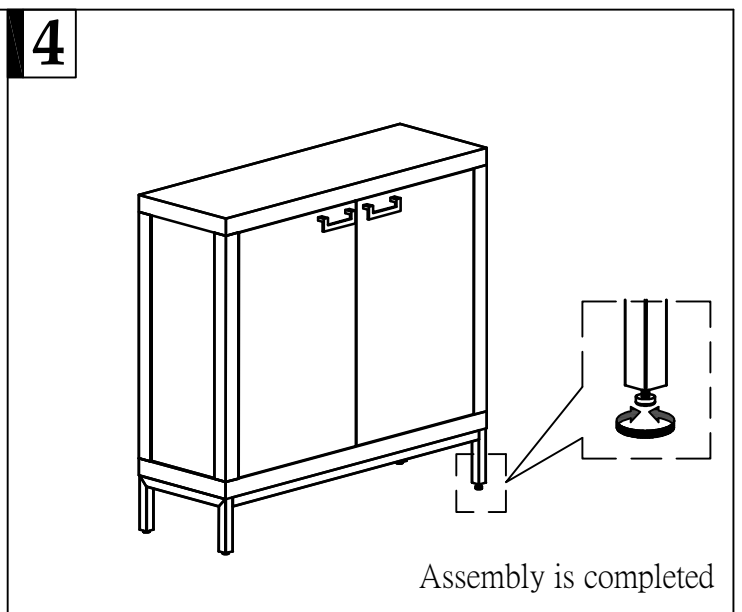
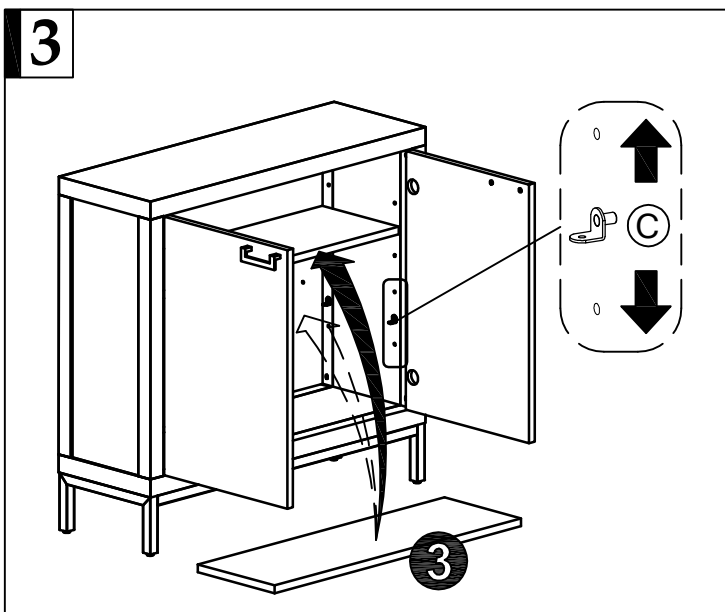
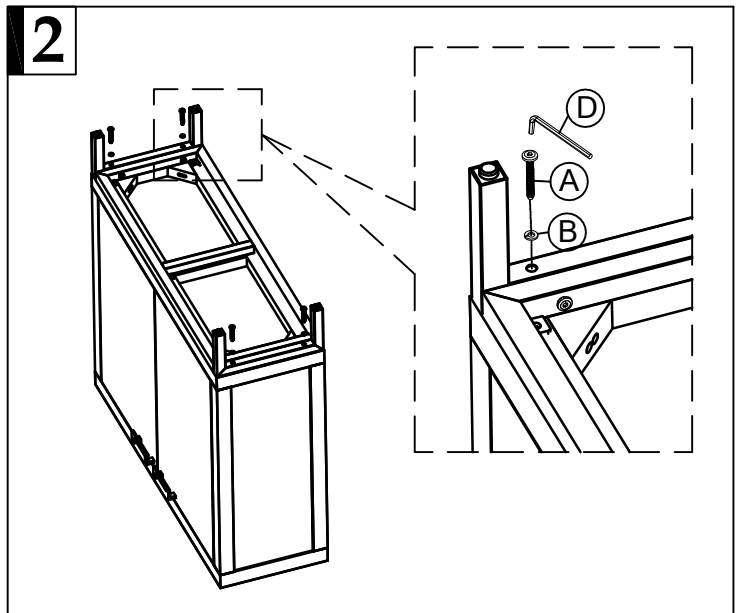
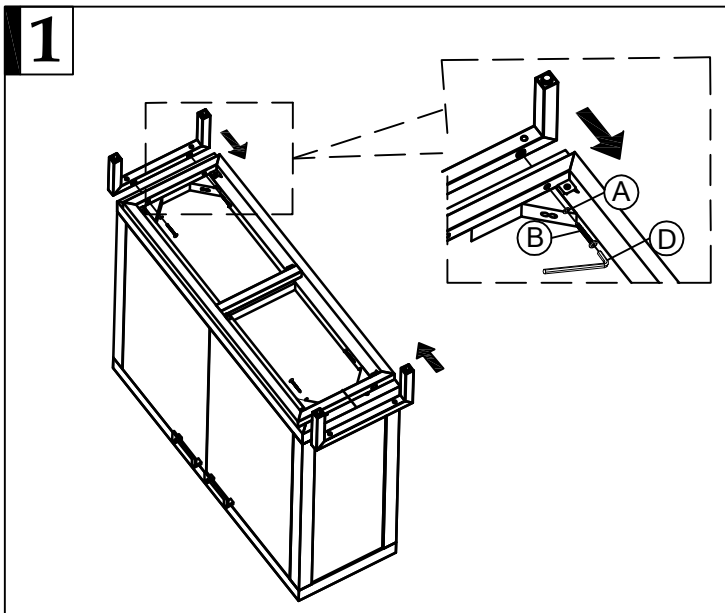
**B** Spring Washer  
Ø13 x M6 = 8 pcs.



**C** Shelf Support  
8 pcs.



**D** Allen Key  
M4 = 1 pcs.



Assembly is completed