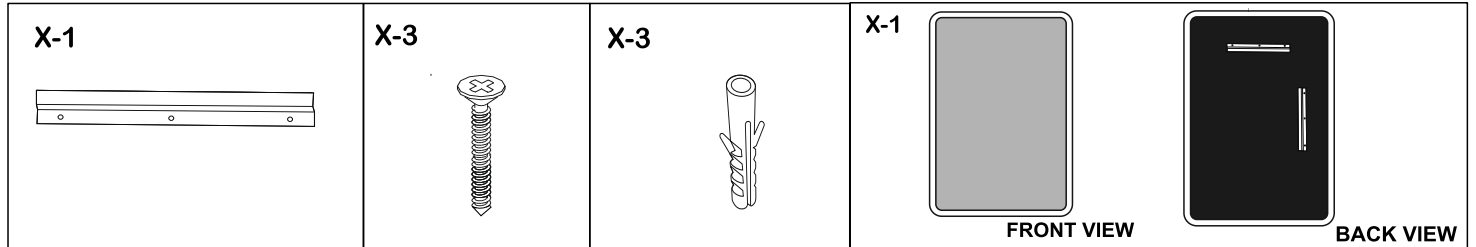


# UTTERMOST

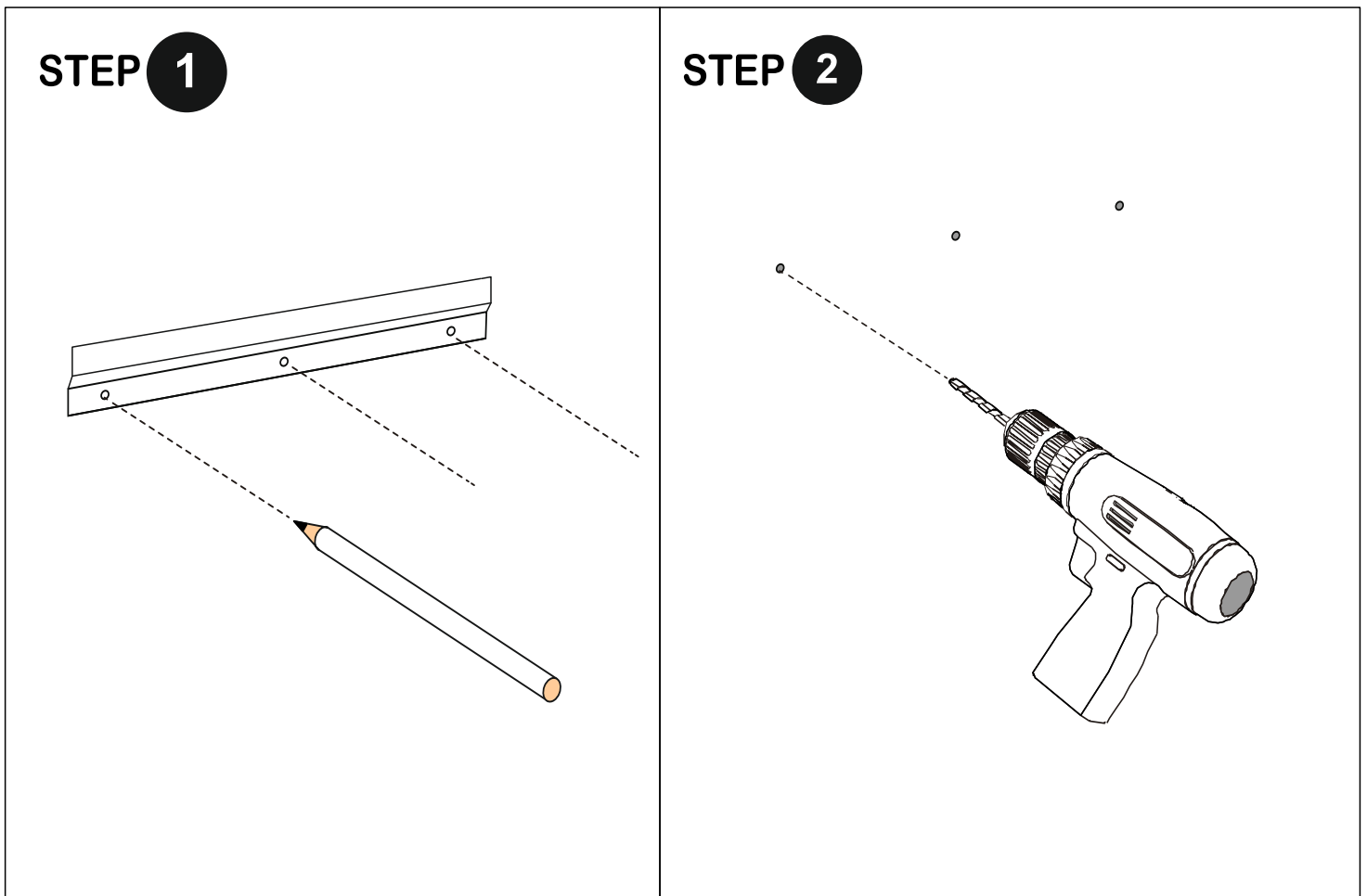
## HANGING INSTRUCTIONS

Item # 08275

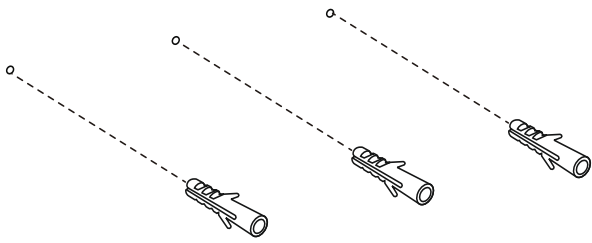
### HARDWARE



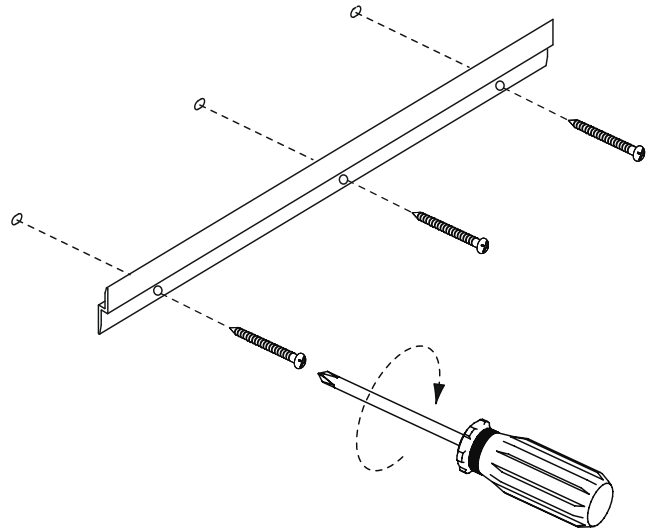
## HANGING INSTRUCTIONS



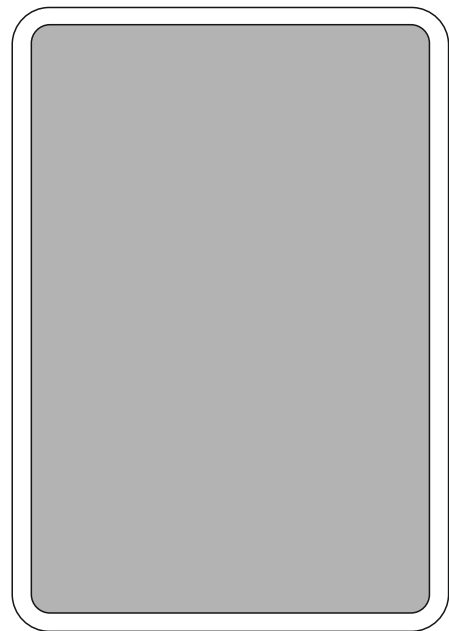
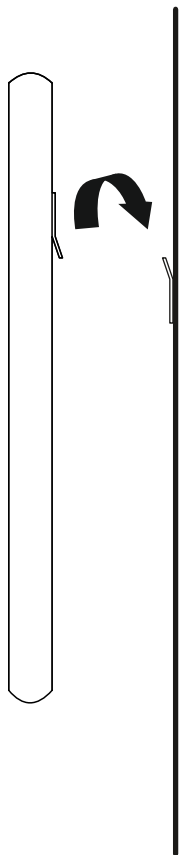
**STEP 3**



**STEP 4**



**STEP 5**



**FINAL ASSEMBLE MIRROR**