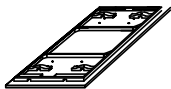




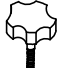





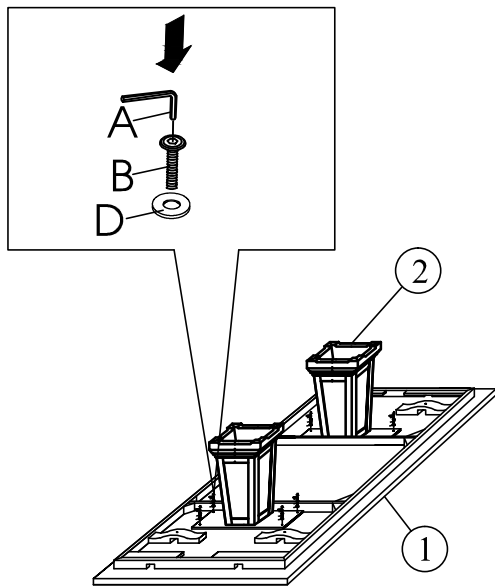
# UTTERMOST

## ASSEMBLY INSTRUCTION

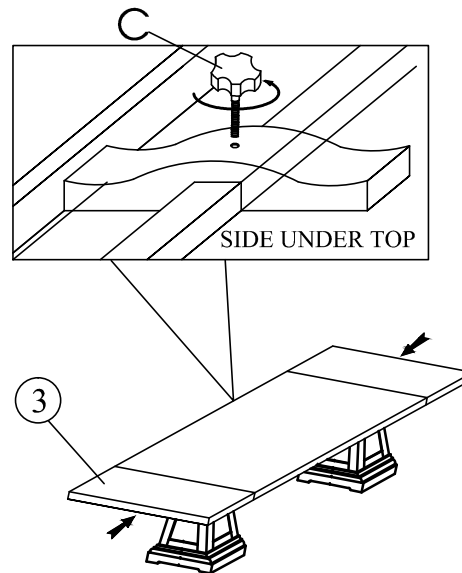
STYLE : R 25338

PART LIST			HARDWARE			
1	2	3	A	B	C	D
TOP	LEGS	LEAF EXTENDER	ALLEN KEY M4 x 60	BOLT M8 x 35	BOLT STOP M8 x 70	WASHER
						
1 pc	2 pcs	2 pcs	1 pc	8 pcs	4 pcs	8 pcs

### STEP 1



### STEP 2



### FINISH

