



UTTERMOST

# Assembly Instruction

STYLE: 25339

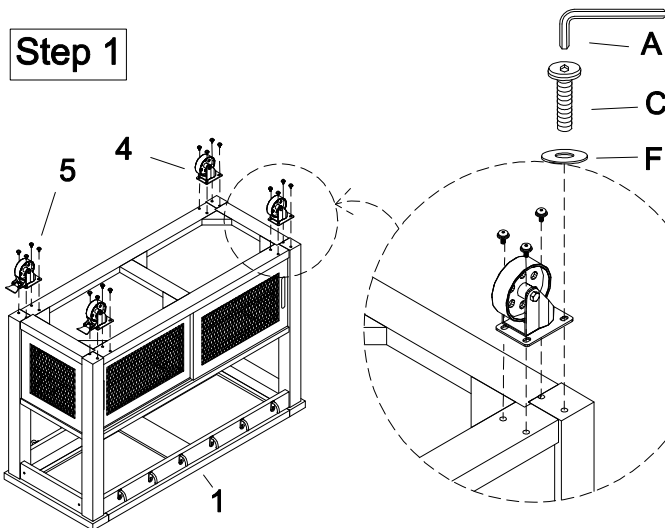
## Hardwares list

A		Allen Wrench 4mm	1pc
B		Bolt Ø1/4**1-1/4"	4 pcs
C		Bolt Ø1/4**7/8"	16 pcs
D		Spring Washer Ø1/4"	4 pcs
E		Flat Washer Ø1/4**19mm	4 pcs
F		Flat Washer Ø1/4**16mm	16 pcs
G		Felt pad Ø16*2mm	8 pcs

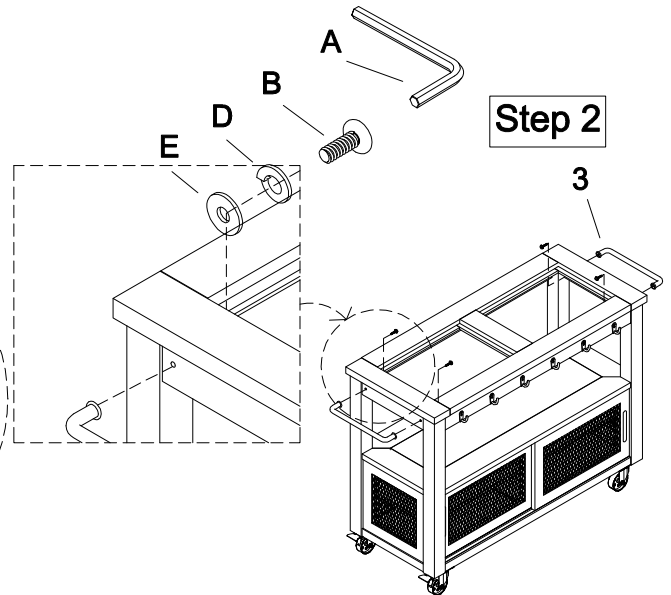
## Parts list

1		CABINET BODY	1set
2		MARBLE TOP	2 pcs
3		HANDLE	2 pcs
4		WHEEL	2 sets
5		WHEEL WITH LOCK	2 sets

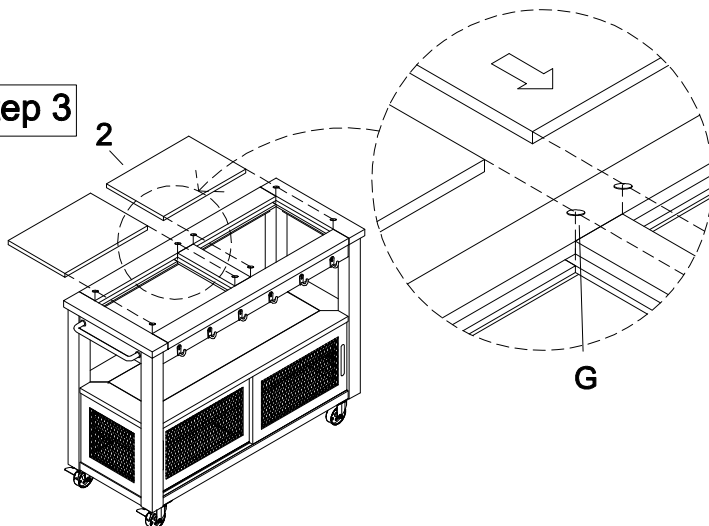
### Step 1



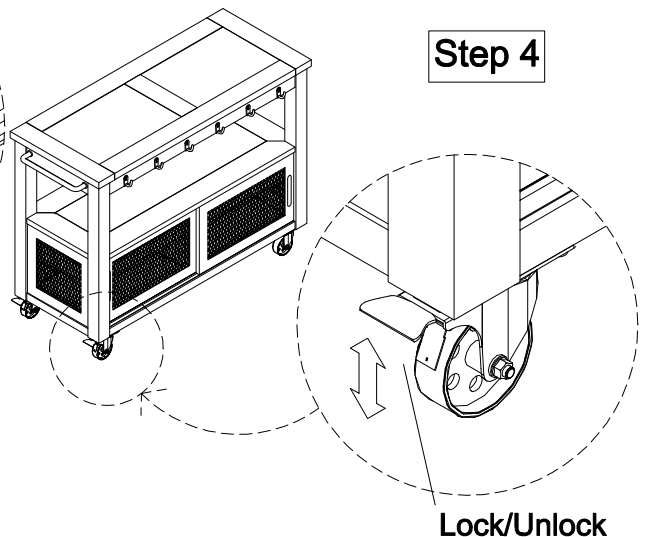
### Step 2



### Step 3



### Step 4



Lock/Unlock