



UTTERMOST

Assembly Instruction

STYLE: 25326

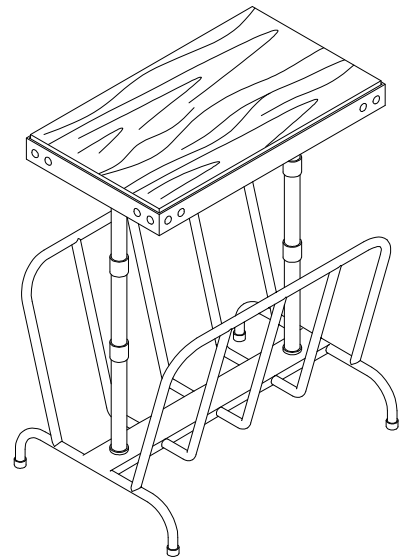
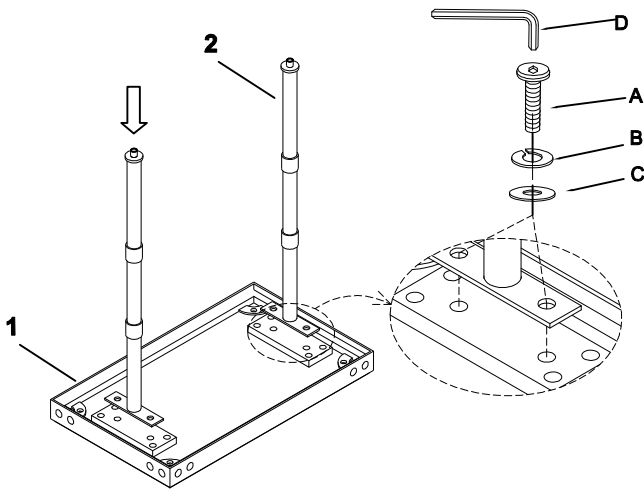
Hardware list

1		Table Top	1pc
2		Leg	2pcs
3		Magazine Rack	1pc

Parts list

A		Bolt Ø1/4"*5/8"	6pcs
B		Lock washer Ø1/4"	6pcs
C		Flat washer Ø1/4"*16mm	6pcs
D		Allen wrench 4mm	1pc
E		Felt pad Ø15*2mm	4pcs

Step 1



Step 2

