



UTTERMOST

Assembly Instruction

STYLE: 25321

Hardware list

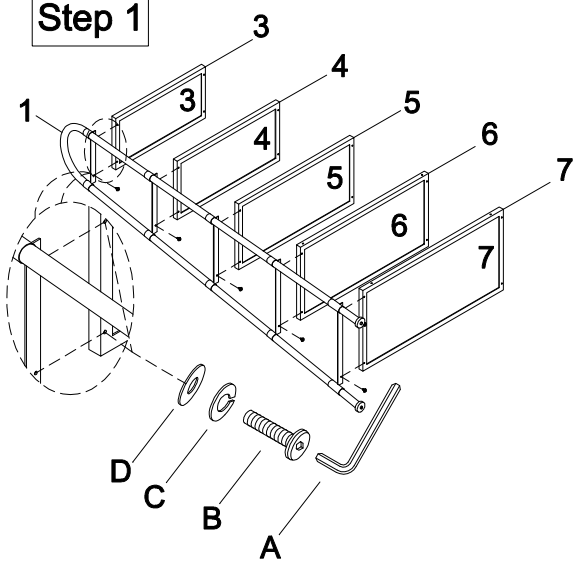
A		Allen Wrench 4mm	1pc
B		Bolt Ø1/4**5/8"	24pcs
C		Spring Washer Ø1/4"	24pcs
D		Flat Washer Ø1/4"x16mm	24pcs
E		Anti-tip Hardware Package	1 set

Parts list

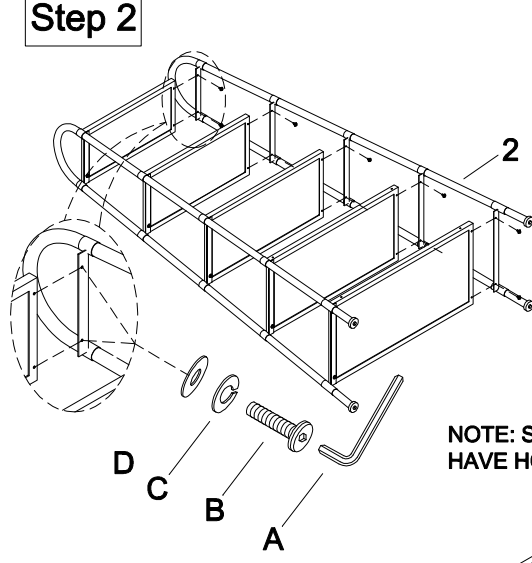
1		LEFT SIDE PIECE	1pc
2		RIGHT SIDE PIECE	1pc
3		Top PANEL 572x283x25	1pc
4		SHELF PANEL 653x323x25	1pc
5		SHELF PANEL 733x363x25	1pc
6		SHELF PANEL 804x403x25	1pc
7		SHELF PANEL 895x445x25	1pc
8		METAL BAR	1pc

NOTE: STRAIGHT SIDE IS BACK

Step 1

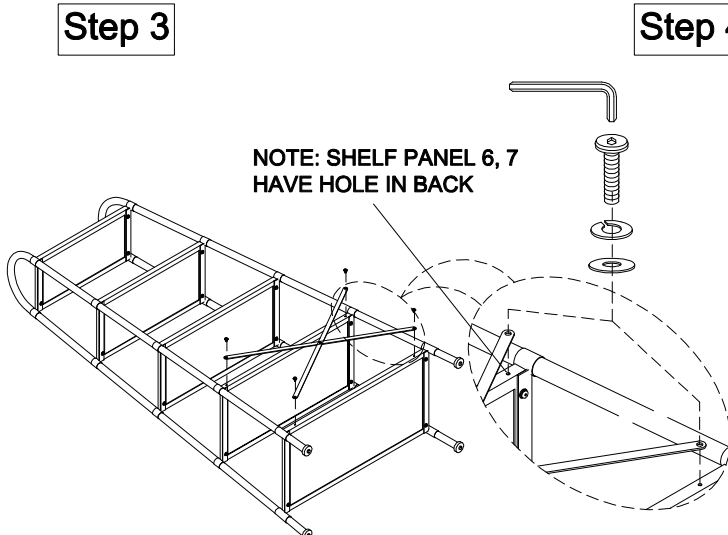


Step 2



NOTE: SHELF PANEL 6, 7 HAVE HOLE IN BACK

Step 3



NOTE: SHELF PANEL 6, 7 HAVE HOLE IN BACK

Step 4

