

# REVELATION

by UTTERMOST





## Assembly Instructions

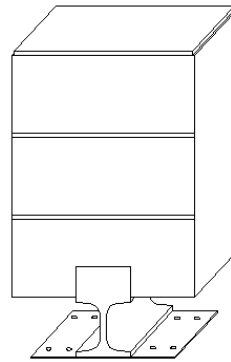
### ITEM# R25396

Component List:

Console Base A..... 1 pc

Console Top B.....1 pc

NO	HARDWARE LIST		Q'TY
C		Flat Washer $\frac{5}{16}$ "	8
D		Lock Washer $\frac{5}{16}$ "	8
E		Bolt $\frac{5}{16}$ " x 1"	8
F		Allen Wrench, 2 $\frac{7}{8}$ " x 1 $\frac{1}{7}$ " x $\frac{1}{5}$ "	1



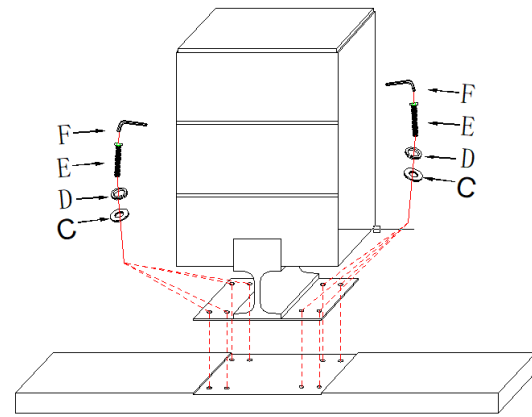
A



B

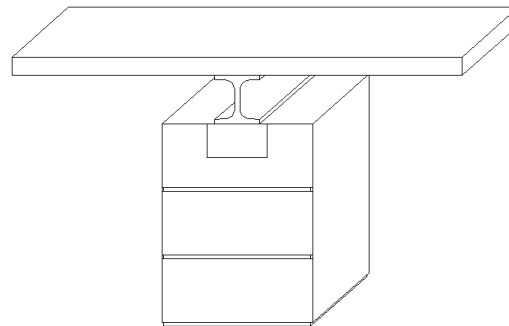
**Step 1.** Assemble **Console Base(A)** on to the **Console Base(B)** by using **Flat washer (C)**, **Lock washer (D)**, **Bolt (E)** & **Allen washer (F)** to tighten .As show on right Diagram.

Step 1



**Step 2.** Turn the Console upward

Step 2



Assembly is complete now.  
Thank you for your purchase.