

# REVELATION

by UTTERMOST

## ASSEMBLY INSTRUCTIONS


### ITEM# R25395

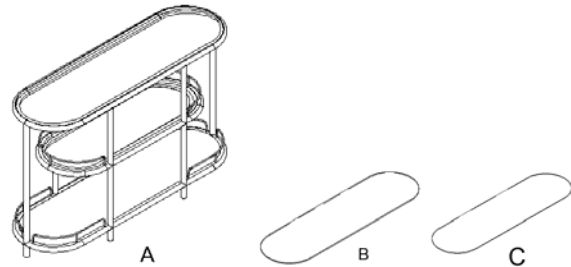
Component List:

Console A..... 1 pc

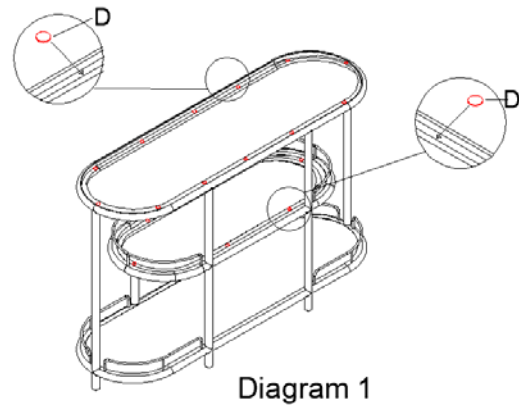
Glass B.....1 pc

Glass C.....1 pc

NO	HARDWARE LIST	Q'TY
D	 Glass bumper	18

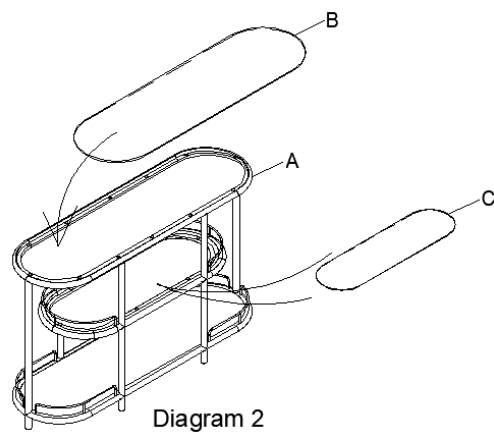


**Step 1.** Put the **Console (A)** stand on floor. Put **12 pcs** of **Glass bumper (D)** evenly on to top shelf frame and **6 pcs** of **Glass bumper (D)** on to Middle shelf frame. (See Diagram 1)



**Step 2.** Put **Glass (B)** and **Glass (C)** on to the **Console (A)**

(See Diagram 2)



Assembly is complete now.