

# REVELATION

by UTTERMOST


## ASSEMBLY INSTRUCTIONS

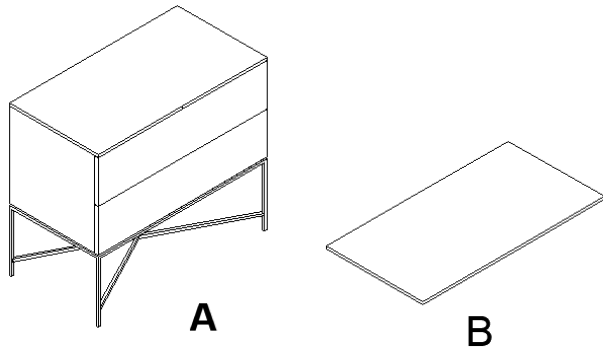
### ITEM# R25388

Component List::

Cabinet A..... 1 pc

Glass B.....1 pc

NO	HARDWARE LIST		Q'TY
C		Glass bumper	6



**Step 1.** Put the **Cabinet (A)** stand on floor. Put **6 pcs of Glass bumper (C)** evenly on to Cabinet Top. Then put **Glass (B)** on to the **Cabinet (A)**.

If you find the cabinet out of horizon, please adjust the levelers accordingly.

(See Diagram 1)

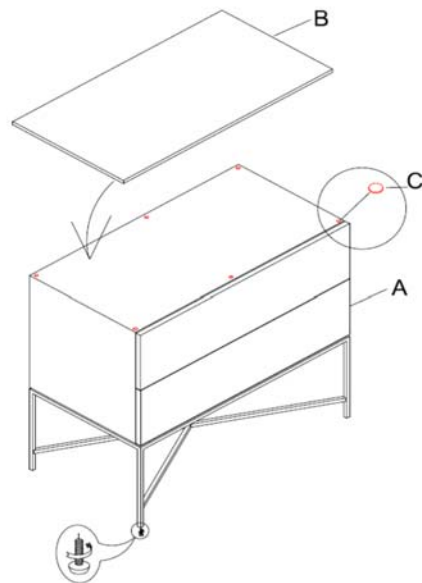


Diagram 1

Assembly is complete now.