



UTTERMOST

ASSEMBLY INSTRUCTION FOR ITEM #25780

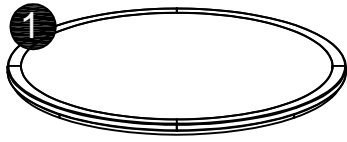


Table Top - 1 pc



Shelf - 1 pc



Leg - 3 pcs



(A) Allen Bolt M6x20mm
18 pcs



(B) Spring Washer M6
18 pcs

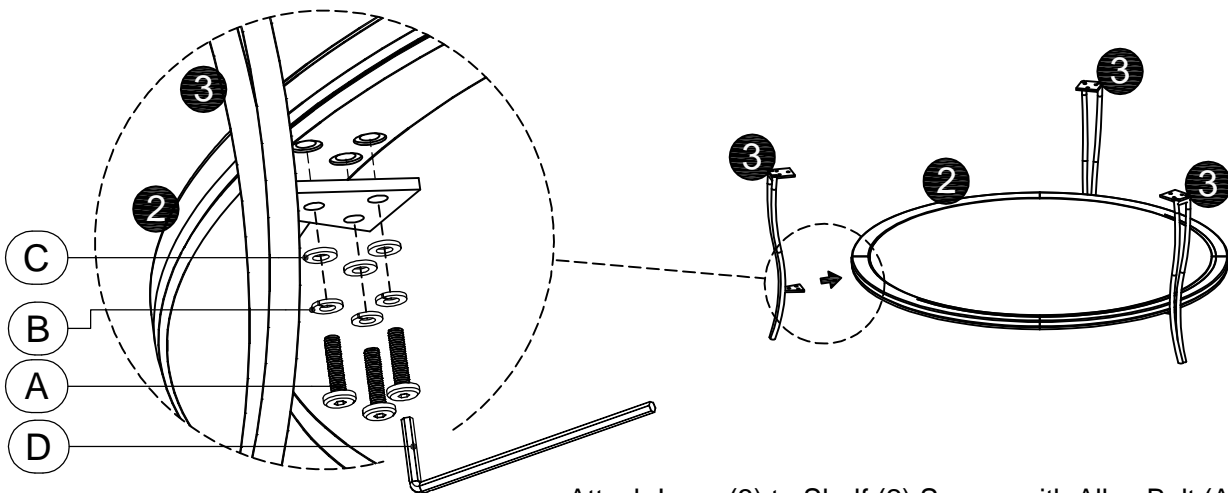


(C) Flat Washer M6
18 pcs



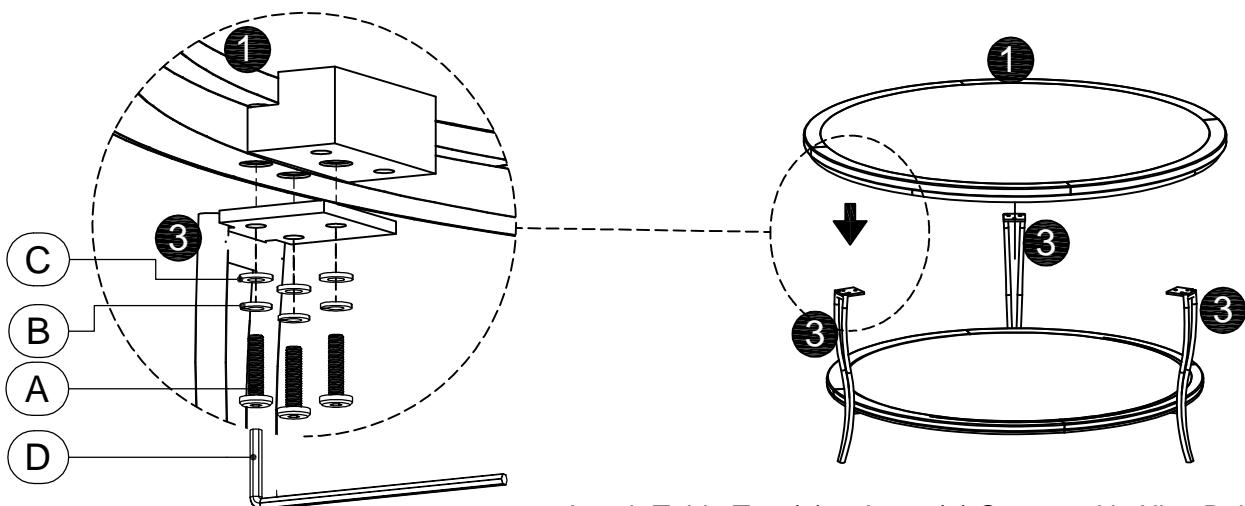
(D) Allen Key 4mm
1 pc

1



Attach Legs (3) to Shelf (2) Secure with Allen Bolt (A), Spring Washers (B) and Flat Washers (C) Tighten using Allen Key (D). **DO NOT TIGHTEN ALL BOLTS IN THIS STEP**

2



Attach Table Top (1) to Legs (3) Secure with Allen Bolt (A), Spring Washers (B) and Flat Washers (C) Tighten using Allen Key (D). **PLEASE TIGHTEN ALL BOLTS**