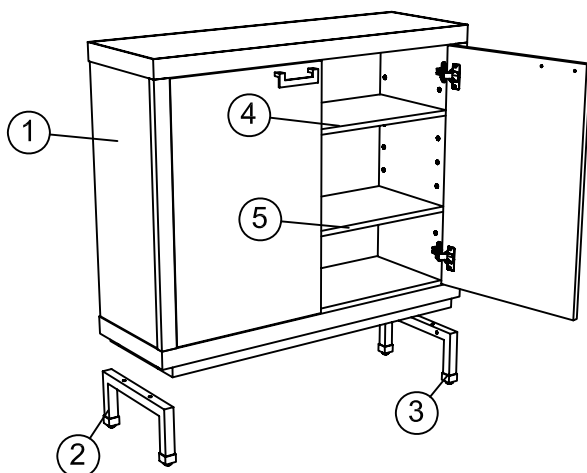




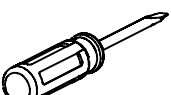




UTTERMOST ASSEMBLY INSTRUCTION FOR ITEM#25866



-  8 PCS
-  8 PCS
-  8 PCS
-  1 PC
-  1 PC

