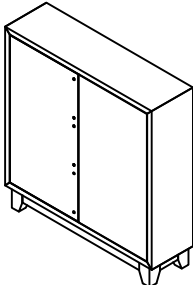
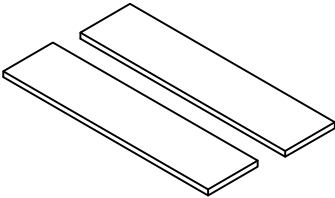
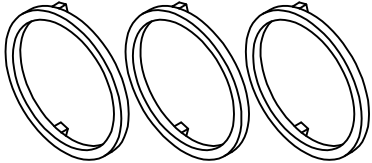
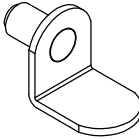
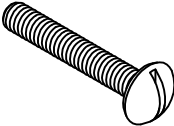
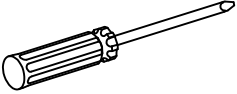




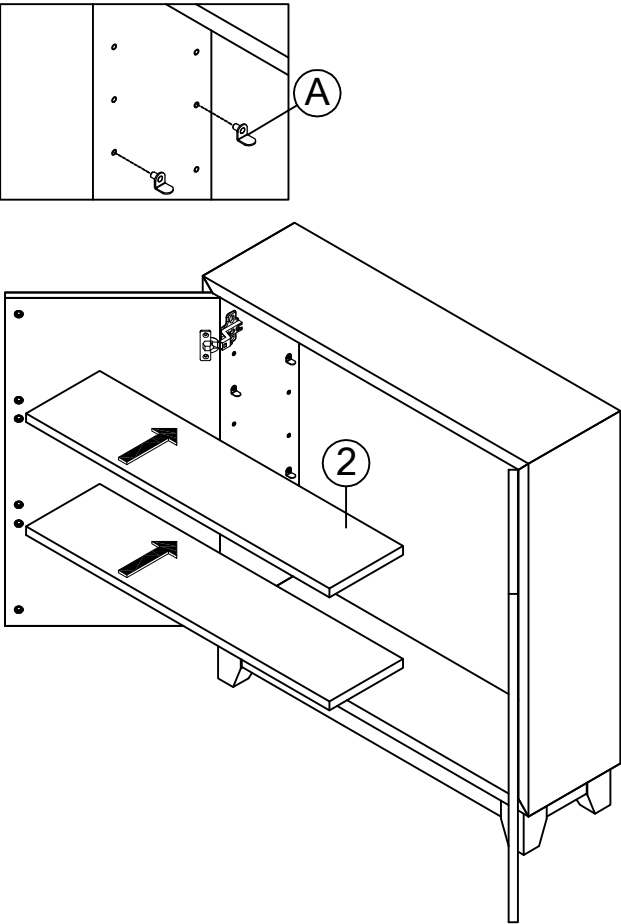
UTTERMOST

ASSEMBLY INSTRUCTION FOR ITEM #25789

<p>1</p>  <p>Cabinet 1 pc</p>	<p>2</p>  <p>Adjustable Shelf 2 pcs</p>	<p>3</p>  <p>Handle 3 pcs</p>
<p>A</p>  <p>Shelf Support 8 pcs</p>	<p>B</p>  <p>Bolt 1/4" x 3/4 inch 6 pcs</p>	<p>C</p>  <p>Screw Driver 1 pc</p>

1

Insert the Shelf Supports (B) into the holes along inside of the Left Panel and Right panel
Then set the shelves (2) on top of the supports.



2

