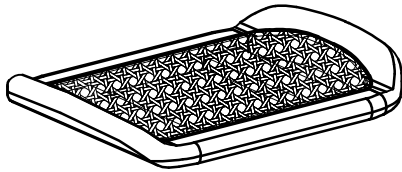
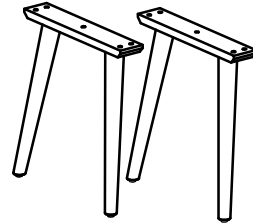


# UTTERMOST

## ASSEMBLY INSTRUCTIONS FOR ITEM # 25462



**1** Seat - 1 pc



**2** Legs - 2 pcs



**A** Allen Bolt M6 x 35mm  
10 pcs



**B** Spring Washer M6  
10 pcs

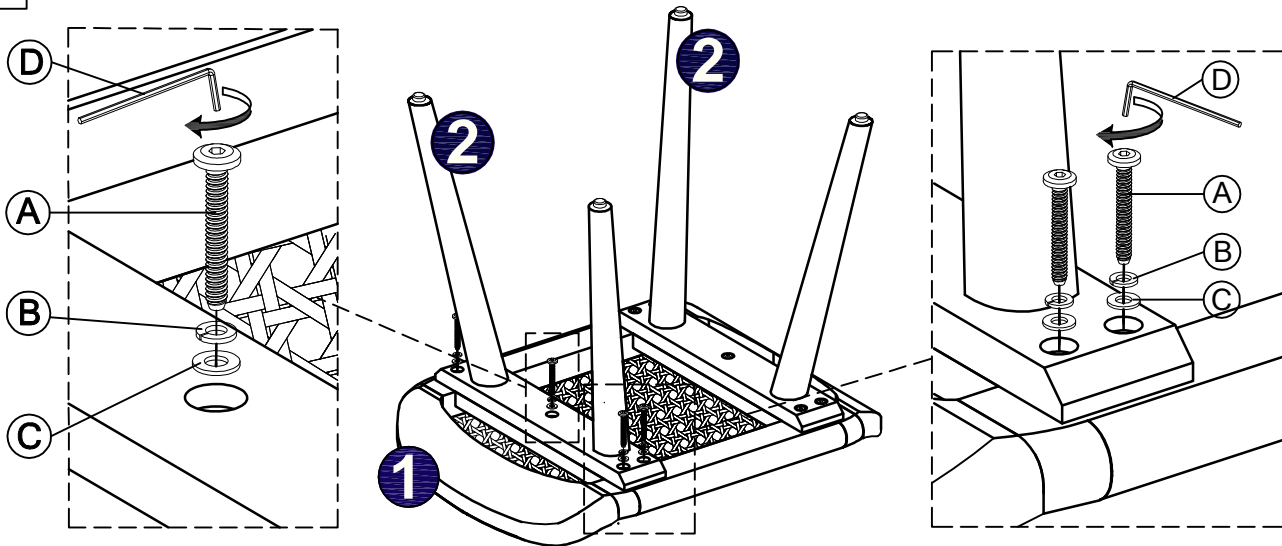


**C** Flat Washer M6  
10 pcs

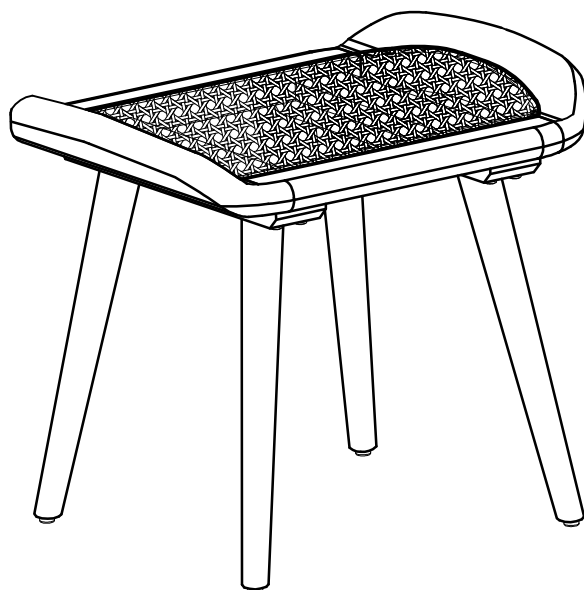


**D** Allen Key 4mm  
1 pc

**1**



**2**



Assembly is completed