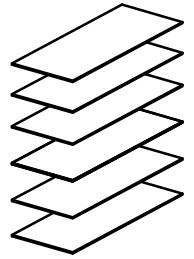
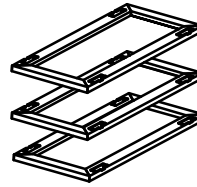
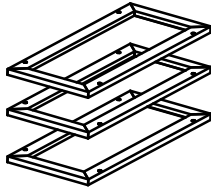
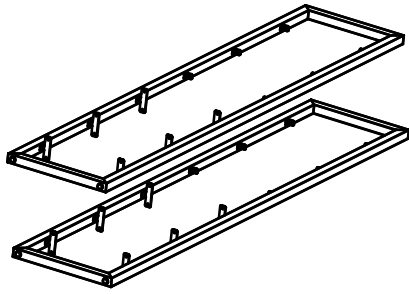




UTTERMOST

ASSEMBLY INSTRUCTION FOR ITEM # 25440



1 Legs Assy - 2pc.

2 Upper Shelves - 3 pcs.

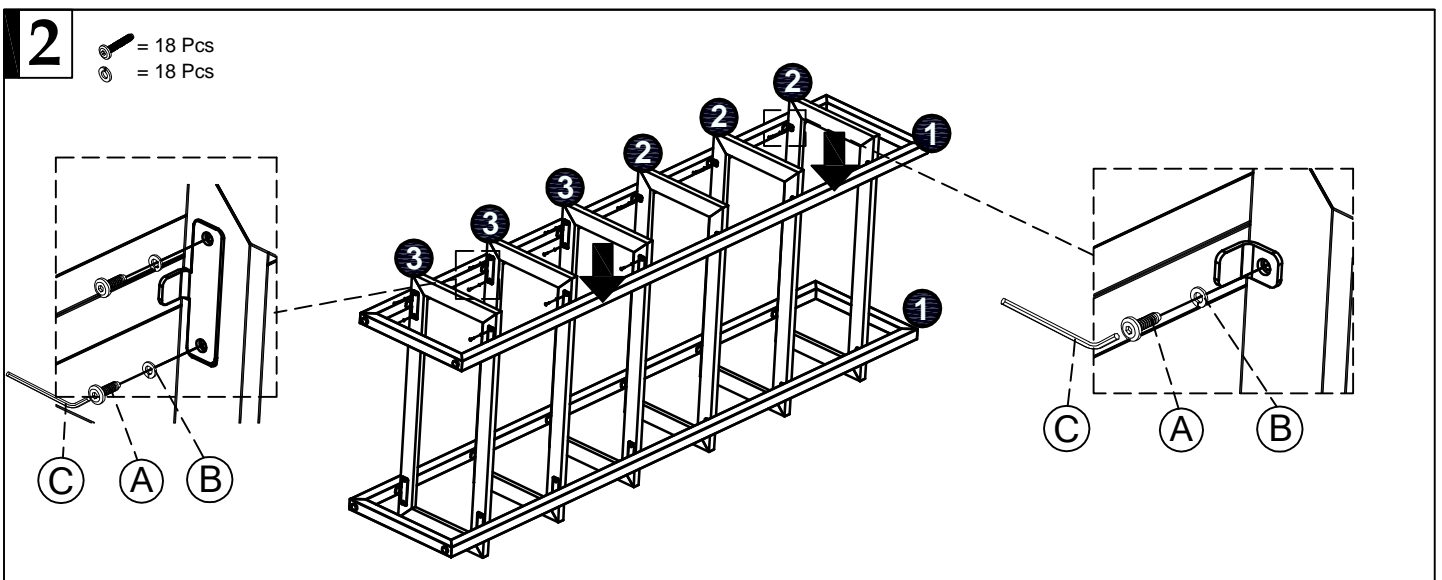
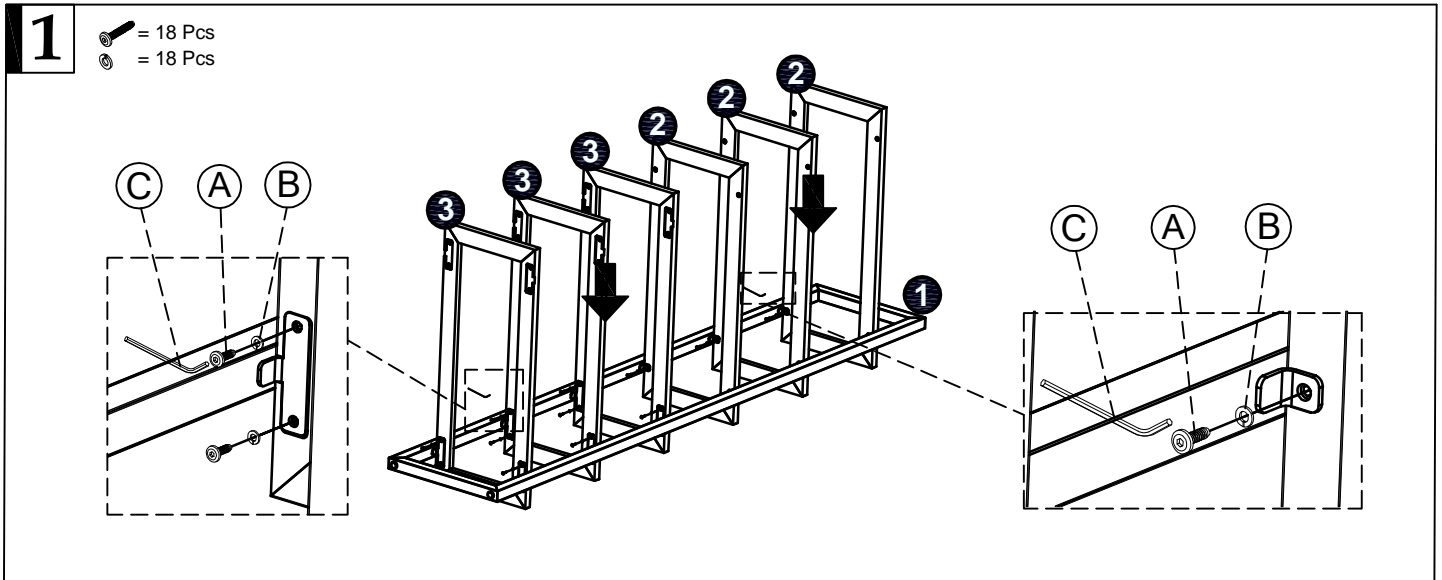
3 Lower Shelves - 3 pcs.

4 Glass - 6 pcs.

A Allen Bolt
M6 x 15 mm
36 pcs

B Spring Washer M6
36 pcs

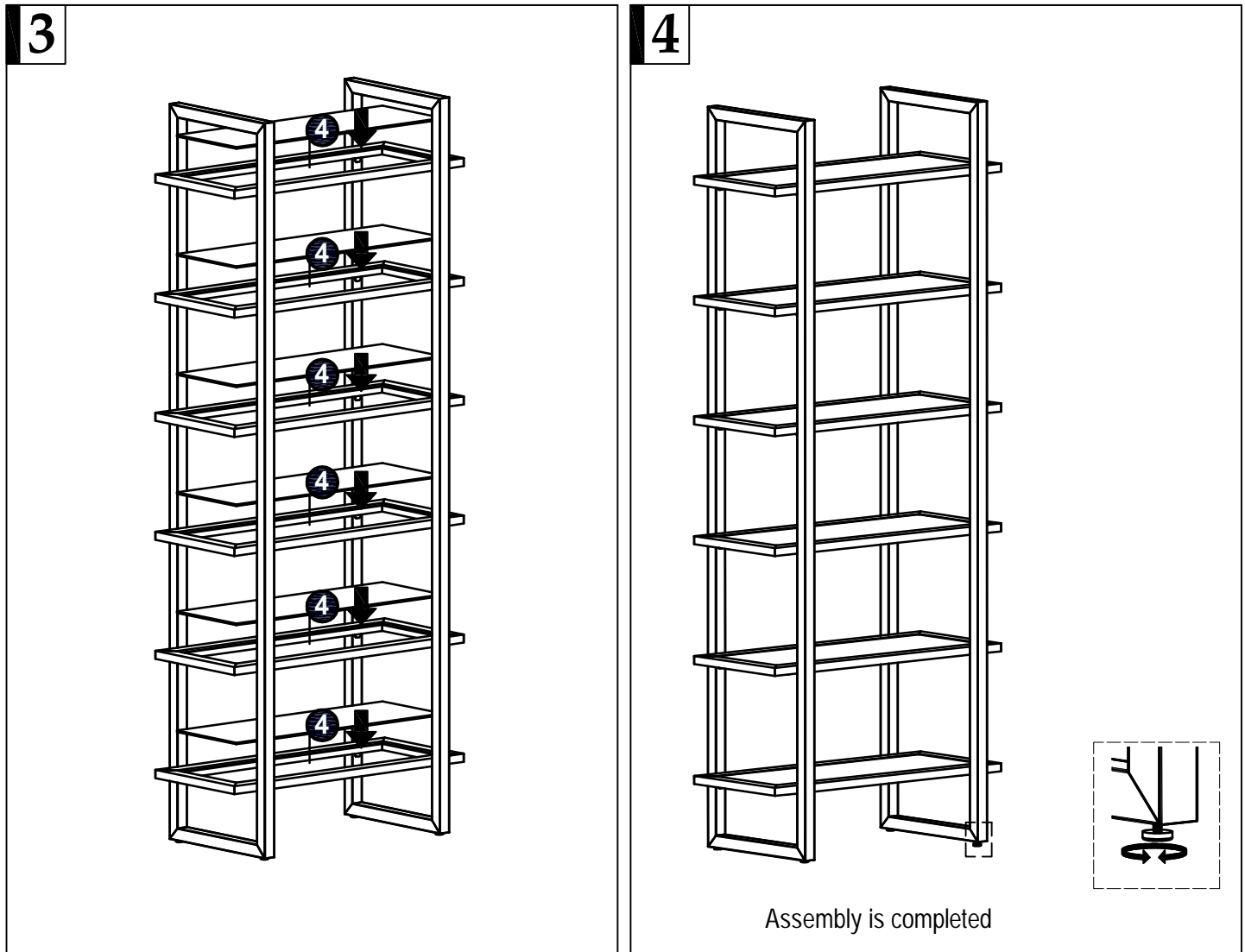
C Allen Key 4mm
1 pc





UTTERMOST

ASSEMBLY INSTRUCTION FOR ITEM # 25440



PO BOX 558/3325 GRASSY HILL RD. ROCKY MOUNT, VIRGINIA 24151
www.uttermost.com